

Floor Mount Stainless Steel Utility Sink

Model
U2424

Product Specifications

Built to last using 14-gauge, type 304 stainless steel. Seamless welded construction with a 1-1/2" rolled rim on front and sides. Exposed surfaces have a uniformed satin finish.

Outside Dimensions	27" x 27-1/2" x 45-1/2" High
Inside Bowl Size	24" x 24" x 12" Deep
Back Splash Height	8"
Faucet Mounting Center	8"
Faucet Mounting Holes	7/8"
Drain Opening	3-1/2"
Finish	Satin
Strainer	Basket Type



Includes

- (1) Floor mount sink
- (1) Leg assembly set
- (4) Washers and nuts for connecting sink to leg assembly set
- (1) Strainer assembly with basket

Product Compliance

NSF/ANSI 2 Food Equipment



Part: _____ Quantity: _____

Project: _____

Contact: _____

Date: _____

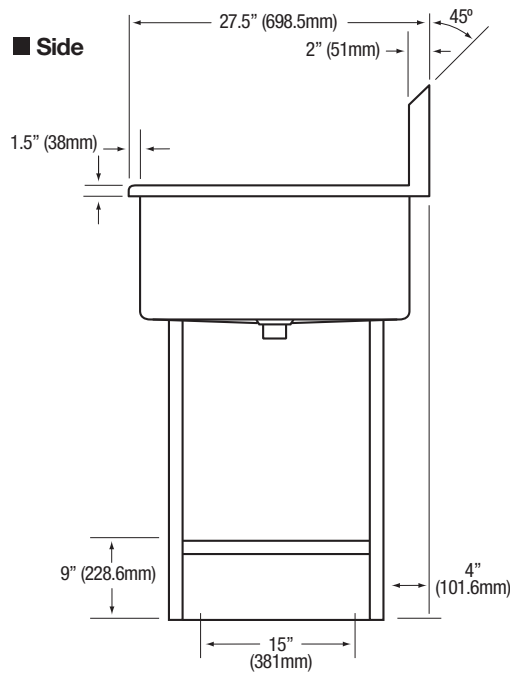
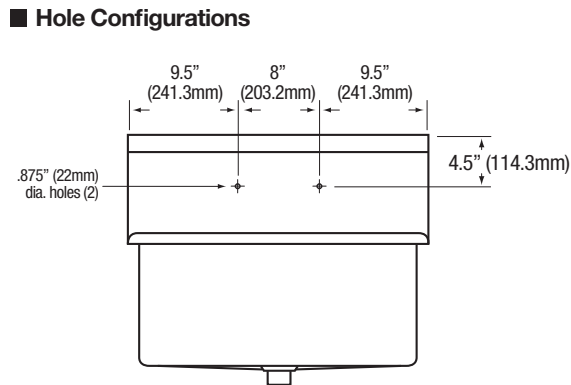
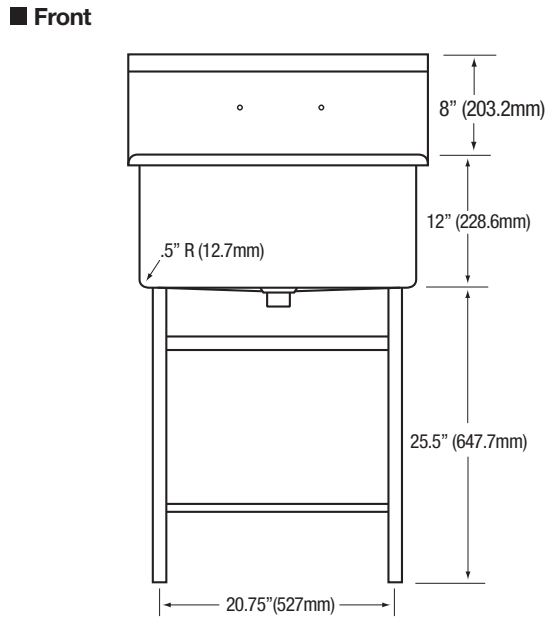
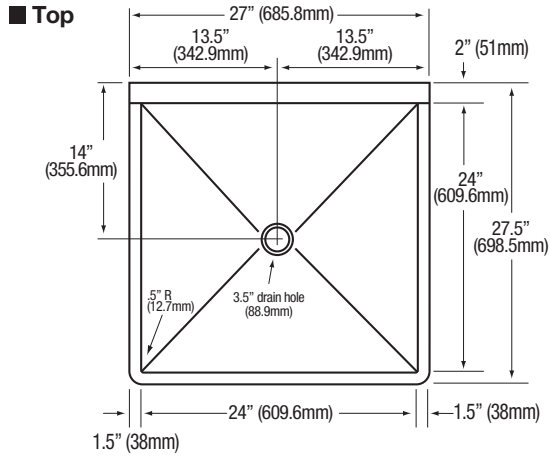
Approval: _____

Notes:



WARNING: Equipment that include faucets on this page may contain a chemical known to the State of California to cause cancer, birth defects or other reproductive harm.

Floor Mount Stainless Steel Utility Sink
Model U2424



■ **Floor Mounting Detail**

