

**Floor Mount Stainless Steel Utility Sink**

<b>Model</b>
U1818

**Product Specifications**

Built to last using 14-gauge, type 304 stainless steel. Seamless welded construction with a 1-1/2" rolled rim on front and sides. Exposed surfaces have a uniformed satin finish.

Outside Dimensions	21" x 21-1/2" x 45-1/2" High
Inside Bowl Size	18" x 18" x 12" Deep
Back Splash Height	8"
Faucet Mounting Center	8"
Faucet Mounting Holes	7/8"
Drain Opening	3-1/2"
Finish	Satin
Strainer	Basket Type



**Includes**

- (1) Floor mount sink
- (1) Leg assembly set
- (4) Washers and nuts for connecting sink to leg assembly set
- (1) Strainer assembly with basket

**Product Compliance**

NSF/ANSI 2 Food Equipment



Part: \_\_\_\_\_ Quantity: \_\_\_\_\_

Project: \_\_\_\_\_

Contact: \_\_\_\_\_

Date: \_\_\_\_\_

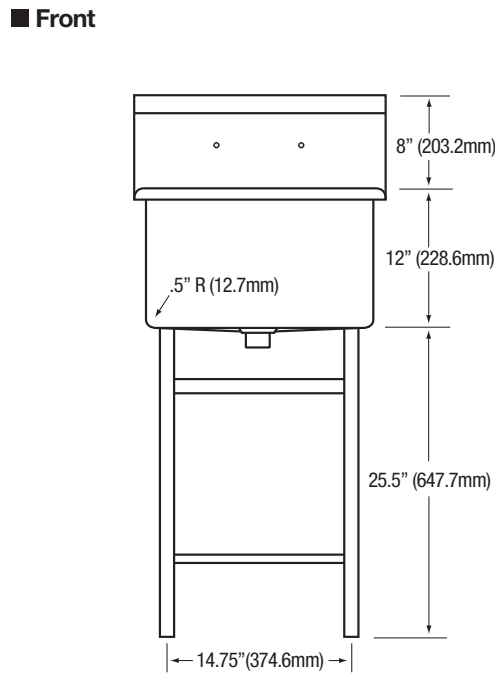
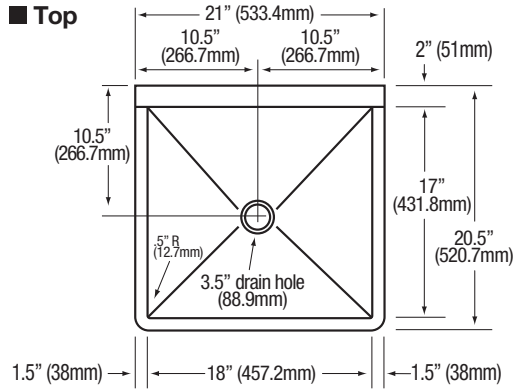
Approval: \_\_\_\_\_

Notes:

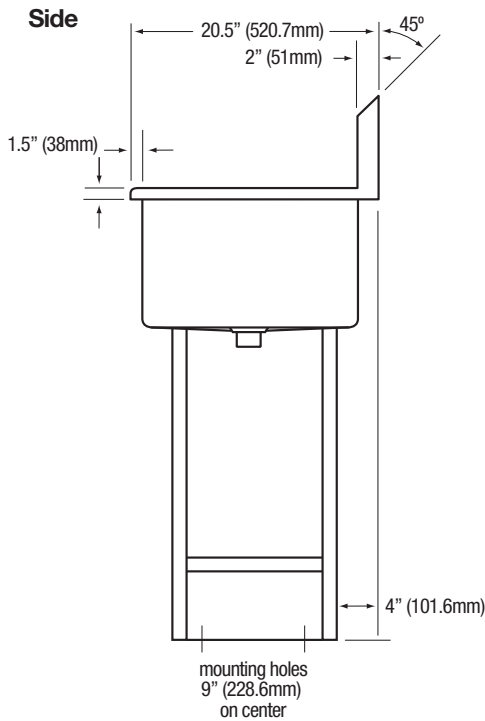
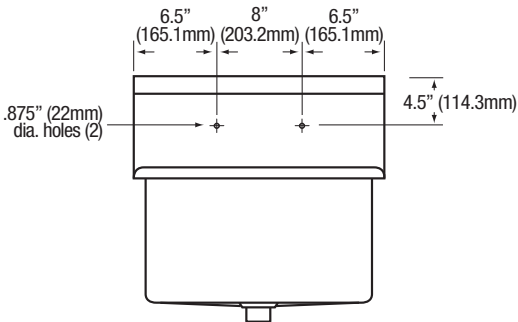


**WARNING:** Equipment that include faucets on this page may contain a chemical known to the State of California to cause cancer, birth defects or other reproductive harm.

**Floor Mount Stainless Steel Utility Sink  
Model U1818**



■ **Hole Configurations**



■ **Floor Mounting Detail**

