



## Wall Mount Stainless Steel Sink

Model	Flow-Rate
605FL	Standard 2.0 GPM
605FL-0.5	Low-Flow 0.5 GPM

### Product Specifications

Deep drawn from heavy duty 18-gauge type 304 stainless steel with large rounded corners. Exposed surfaces have an electropolished finish to enhance resistance to corrosion, reduce any bacterial growth and make for easier cleaning.



Outside Dimensions	16" x 15-1/2" x 13" High
Inside Bowl Size	14" x 11" x 5" Deep
Back Splash Height	8"
Water Activation	Manual Faucet with 4" Handles
Flow Rate	2 GPM
Inlet Connections	1/2" Male NPS
Faucet Mounting Center	4"
Faucet Mounting Holes	7/8"
Drain Opening	2"
Finish	Electropolished
Strainer	1-1/2" dia. Duo Basket Strainer
Wall Mounting Bracket	1/4" dia. Mounting Holes

### Includes

- (1) Wall mount sink
- (1) 4" on center faucet
- (1) Faucet mounting kit
- (1) Wall-mounting bracket
- (1) Strainer assembly with basket

### Product Compliance

NSF/ANSI 2 Food Equipment  
 NSF/ANSI 61, Section 9  
 ASME A112.18.1/CSA B125.1



Part: \_\_\_\_\_ Quantity: \_\_\_\_\_

Project: \_\_\_\_\_

Contact: \_\_\_\_\_

Date: \_\_\_\_\_

Approval: \_\_\_\_\_

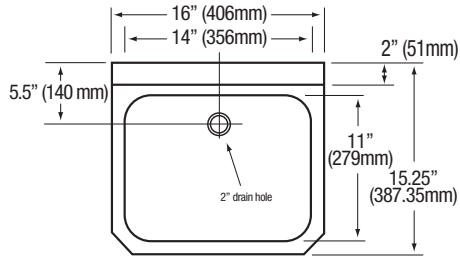
Notes:



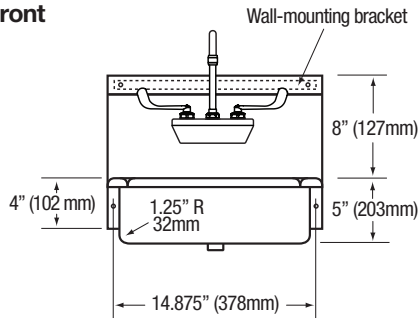
**WARNING:** Equipment that include faucets on this page may contain a chemical known to the State of California to cause cancer, birth defects or other reproductive harm.

## Wall Mount Stainless Steel Sink Models 605FL and 605FL-0.5

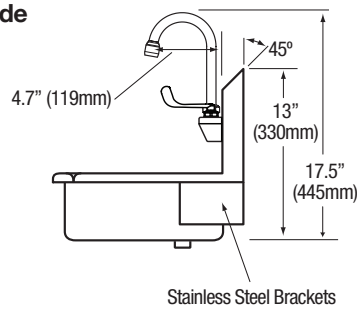
### ■ Top



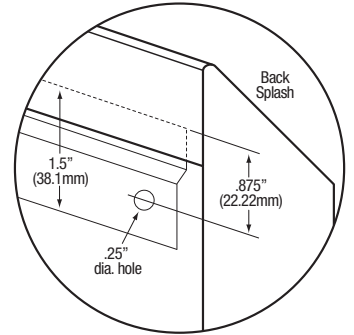
### ■ Front



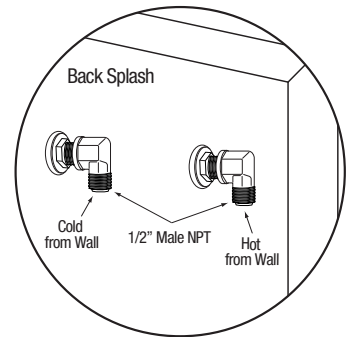
### ■ Side



### ■ Wall Mounting Detail



### ■ Supply Line Detail



### ■ Hole Configurations

