



Hands-Free Wall Mount Stainless Steel Sink

Model	Sensor Type	Flow-Rate
5A4A	AC Powered	Standard 2.0 GPM
5A4A-0.5	AC Powered	Low-Flow 0.5 GPM
5A4B	Battery Powered	Standard 2.0 GPM
5A4B-0.5	Battery Powered	Low-Flow 0.5 GPM

Product Specifications

Hands-Free operation is ideal for use in food service applications. Built to last using 16-gauge, type 304 stainless steel. Exposed surfaces have a satin finish.

Outside Dimensions	22" x 19" x 14" High
Inside Bowl Size	19" x 15-1/2" x 5" Deep
Back Splash Height	9"
Water Activation	AC or Battery Powered Sensor Faucet
Flow Rate	2 GPM
Inlet Connections	3/8" Male Compression
Drain Opening	2"
Finish	Satin
Strainer	1-1/2" dia. Duo Basket Strainer
Wall Mounting Bracket	1/4" dia. Mounting Holes

Includes

- (1) Wall mount sink
- (1) AC or Battery powered sensor faucet assembly
- (1) Wall-mounting bracket
- (2) Support brackets with 4 mounting bolts
- (1) Mixing check valve
- (1) Strainer assembly with basket

Product Compliance

NSF/ANSI 2 Food Equipment
 NSF/ANSI 61, Section 9
 ASME A112.18.1/CSA B125.1



Part: _____ Quantity: _____

Project: _____

Contact: _____

Date: _____

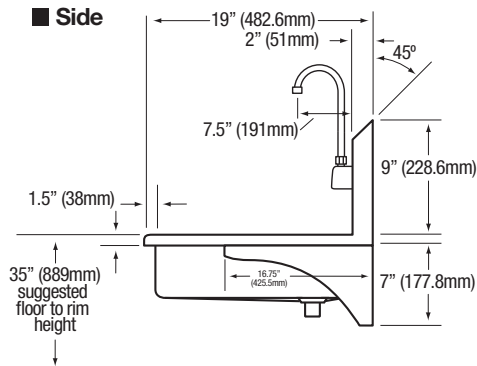
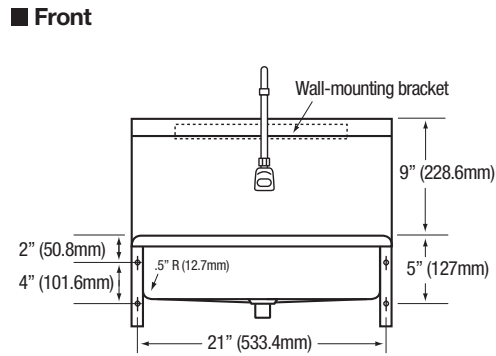
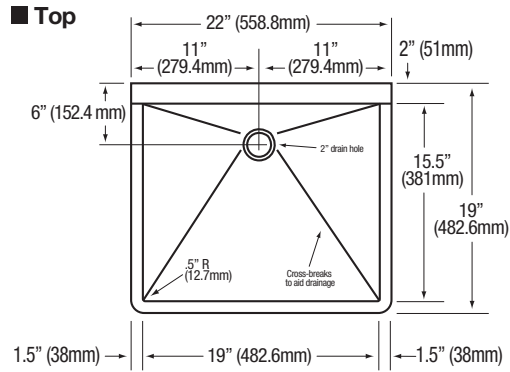
Approval: _____

Notes:

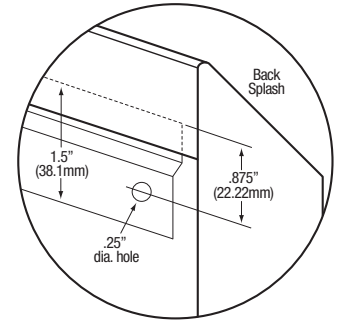


Hands-Free Wall Mount Stainless Steel Sink

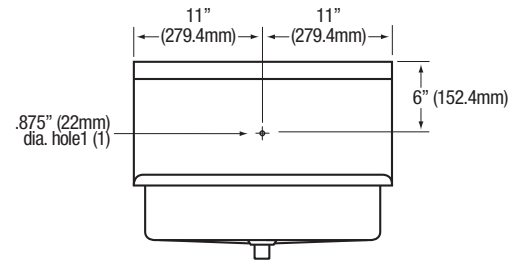
Models 5A4A, 5A4A-0.5, 5A4B and 5A4B-0.5



■ **Wall Mounting Detail**



■ **Hole Configuration**



SANI-LAV Sensor Faucets

Wall Mounted AC and Battery Powered
Meets ANSI/ASME A112.18.1 M-1989

Operation

1. A continuous, invisible beam is emitted from the sensor.
2. The faucet is activated by placing hands under the spout within the effective range of the beam. Water starts to flow immediately for as long as the user's hands remain in the sensor range.
3. When hands are removed, the water flow stops. The sensor will automatically reset and be ready for the next user.
4. In the battery powered version, a flashing red light will indicate a low battery condition.

Specifications

Faucet Construction

Solid brass, chrome plated

Control Circuit

Solid state, AC or battery, switchable

- Auto. Time-out
Preset at 20 seconds and adjustable to 10, 30, or 60 seconds
- Line Purge (request only)
2 minute run every 12 hours or 24 hours
- Scrub Mode Delay (request only)
60, 120, 180 seconds
- Sensor Range
Preset and adjustable
- Shut-off Delay
Presets and adjustable from 1-8 seconds

Control Cable

Armored, vandal resistant

Solenoid Valve

6V DC, normally closed

- Wattage: 0.4W (idle), 5W (in use)
- Operating Pressure: 5 psi to 125 psi

Flow Control

2.0 or 0.5 GPM, Laminar Flow Control

AC Mode

Power Adapter

- Standard Plug-in
Input AC 120V 60 Hz or 220V
- (UL/CSA)
Output DC 12V, 0.8A/Class 2
- Power Cable
Armored, vandal resistant
- Optional Multi-Unit Adapter
Serves up to 8 faucets
- (UL/CSA)
Input AC 120V, Output DC 12V, 3A

Battery Mode

Battery Powered Models

(4) AA Alkaline Batteries

Battery Service Life

400,000 on/off cycles, up to 4 years

Package Includes

- (1) Faucet with electronic sensor
- (1) Control box w/6V DC solenoid
- (1) 12V DC plug-in power adaptor (H-6700C, -DC, -LR and -LRDC only)
- (1) In-line filter with clean-out trap
- (1) 18" Flex, S.S. supply tube, 3/8"(1) 6" Gooseneck Spout
- (1) Mounting hardware
- (1) 2.0 GPM Flow Control(4) AA Alkaline batteries (HB-6700C, -DC, -LR, -LRDC only)
- (1) Battery holder (HB-6700C, -DC, -LR, -LRDC only)

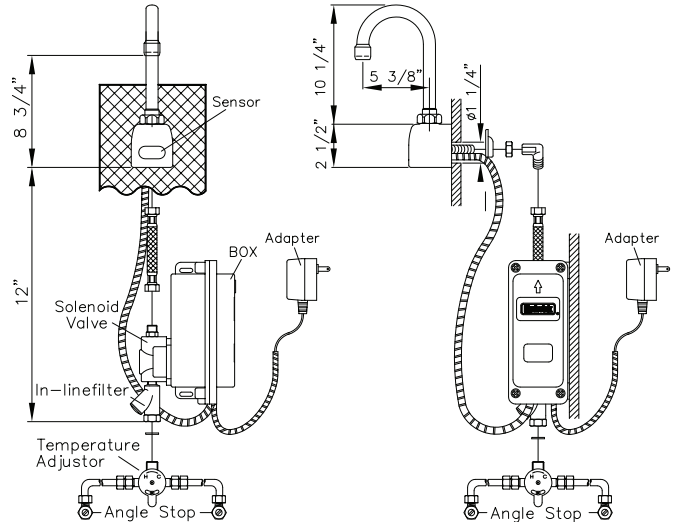
Dimensions

- Base Width (Outside Measurement) 2-1/4"
- Base Depth 2-1/2"
- Faucet Height (Aerator to Base) 8-3/4"
- Faucet Height Overall 12-3/4"
- Depth (Center of Aerator to Center of Faucet Base) 5-3/8"
- Mounting Bolt Length 1-7/16"
- Mounting Bolt Pattern Single-hole mount

Optional Variations and Accessories

- 0.35, 0.5, 1.5, 2.2 GPM Laminar Flow
- HC-010 Multi-Unit Voltage Adapter (AC Powered Only) - 8 units
- HC-0104 Multi-Unit Voltage Adapter (AC Powered Only) - 4 units
- HC-001 Mixing/Check Valve (Mechanical)
- HBL-04-LR Thermostatic Mixing Valve with Checks (Low Lead)
- 8" deep Gooseneck and 6" or 8" Swing Swing SpoutModel

Model	Sensor Type	Flow-Rate
ES2RL	AC Powered	Standard 2.0 GPM
ES2RL-0.5	AC Powered	Low-Flow 0.5 GPM



Model	Sensor Type	Flow-Rate
ESB2RL	Battery Powered	Standard 2.0 GPM
ESB2RL-0.5	Battery Powered	Low-Flow 0.5 GPM

