



Wall Mount Stainless Steel Sink

Model
5A40

Product Specifications

Built to last using 16-gauge, type 304 stainless steel. Exposed surfaces have a satin finish.

Outside Dimensions	22" x 19" x 14" High
Inside Bowl Size	19" x 15-1/2" x 5" Deep
Back Splash height	9"
Drain Opening	2"
Finish	Satin
Strainer	1-1/2" dia. slip-joint connection
Wall Mounting Bracket	1/4" dia. mounting holes



Includes

- (1) Wall mount sink
- (1) Wall-mounting bracket
- (2) Support brackets with 4 mounting bolts
- (1) Strainer assembly with basket

Product Compliance

NSF/ANSI 2 Food Equipment



Part: _____ Quantity: _____

Project: _____

Contact: _____

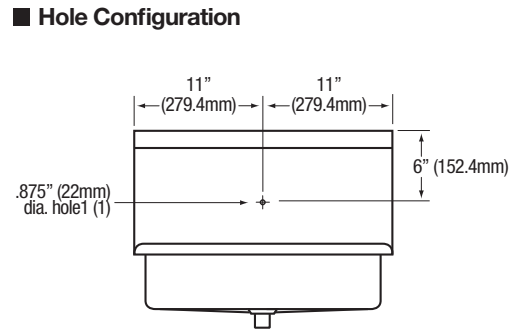
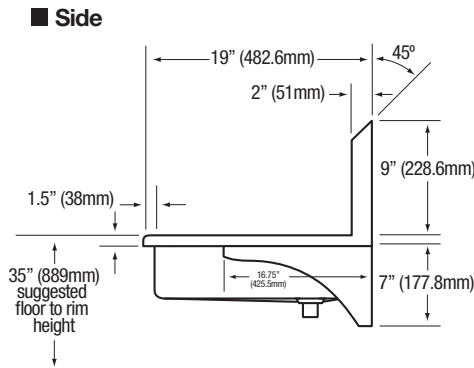
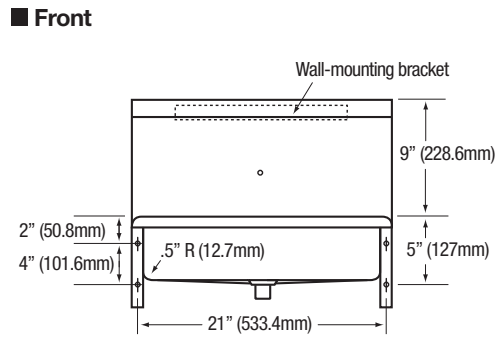
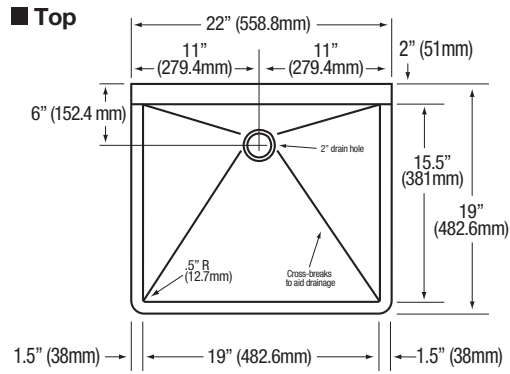
Date: _____

Approval: _____

Notes:



Wall Mount Stainless Steel Sink Model 5A40



■ **Wall Mounting Detail**

