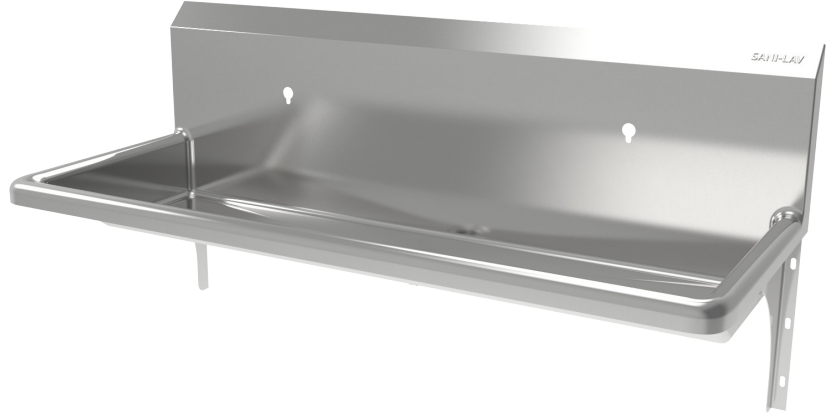


2-Person Wall Mount Stainless Steel Wash Station

Model

5A20



Product Specifications

Built to last using 16-gauge, type 304 stainless steel.
Exposed surfaces have a satin finish.

Outside Dimensions	48" x 20" x 16" High
Inside Bowl Size	45" x 16-1/2" x 5" Deep
Back Splash height	10"
Drain Opening	2"
Finish	Satin
Strainer	1-1/2" dia. slip-joint connection
Wall Mounting Bracket	1/4" dia. mounting holes

Includes

- (1) Two-person wall mount wash station
- (1) Strainer assembly with basket
- (2) Wall-mounting brackets
- (2) Support brackets

Product Compliance

NSF/ANSI 2 Food Equipment
ADA Compliant



Part: _____ Quantity: _____

Project: _____

Contact: _____

Date: _____

Approval: _____

Notes:

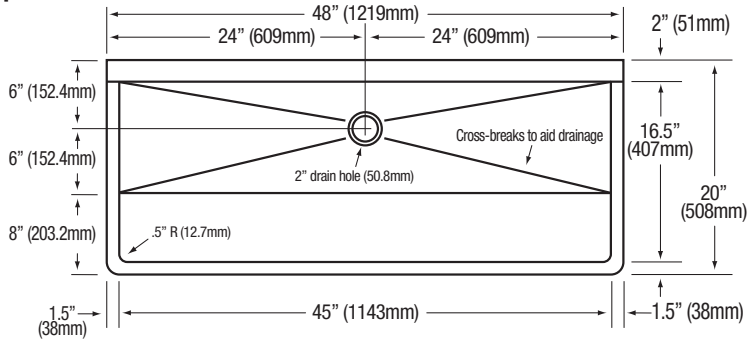


WARNING: Equipment that include faucets on this page may contain a chemical known to the State of California to cause cancer, birth defects or other reproductive harm.

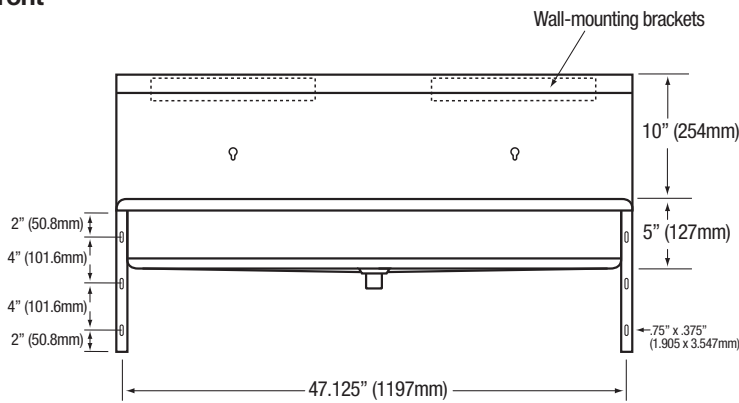
2-Person Wall Mount Stainless Steel Wash Station

Model 5A20

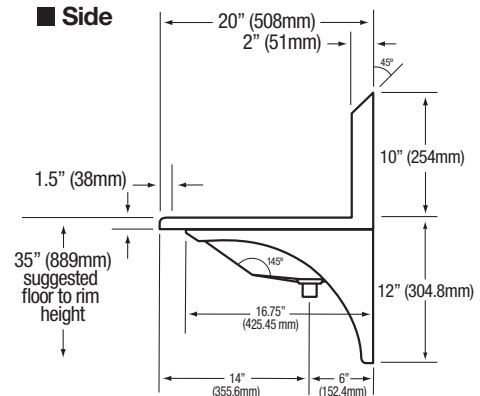
■ Top



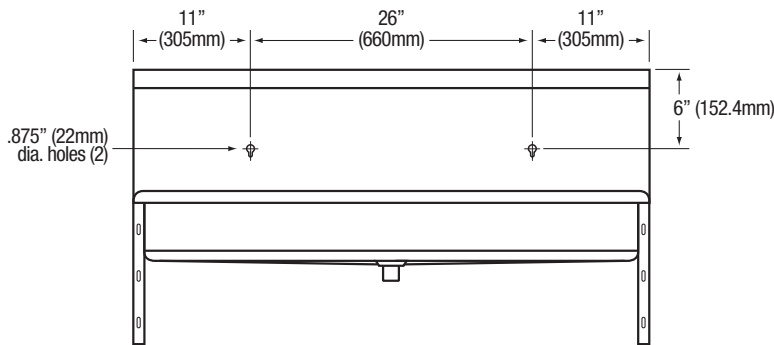
■ Front



■ Side



■ Hole Configurations



■ Wall Mounting Detail

