

**1-Person Hands-Free Wall Mount Stainless Steel Wash Station**

Model	Sensor Type	Flow-Rate
5A1A	AC Powered	Standard 2.0 GPM
5A1A-0.5	AC Powered	Low-Flow 0.5 GPM
5A1B	Battery Powered	Standard 2.0 GPM
5A1B-0.5	Battery Powered	Low-Flow 0.5 GPM



**Product Specifications**

Hands-Free operation is ideal for use in food service applications. Built to last using 16-gauge, type 304 stainless steel. Exposed surfaces have a satin finish.

Outside Dimensions	30" x 20" x 15" High
Inside Bowl Size	27" x 16-1/2" x 5" Deep
Back Splash Height	10"
Water Activation	AC or Battery Powered Sensor Faucet
Flow Rate	2 GPM
Inlet Connections	3/8" Male Compression
Drain Opening	2"
Finish	Satin
Strainer	1-1/2" dia. Duo Basket Strainer
Wall Mounting Bracket	1/4" dia. Mounting Holes

**Includes**

- (1) Wall mount sink
- (1) AC or Battery powered sensor faucet assembly
- (1) Wall-mounting bracket
- (2) Support brackets
- (1) Mixing check valve
- (1) Strainer assembly with basket

**Product Compliance**

NSF/ANSI 2 Food Equipment  
 NSF/ANSI 61, Section 9  
 ASME A112.18.1  
 ADA Compliant



Part: \_\_\_\_\_ Quantity: \_\_\_\_\_

Project: \_\_\_\_\_

Contact: \_\_\_\_\_

Date: \_\_\_\_\_

Approval: \_\_\_\_\_

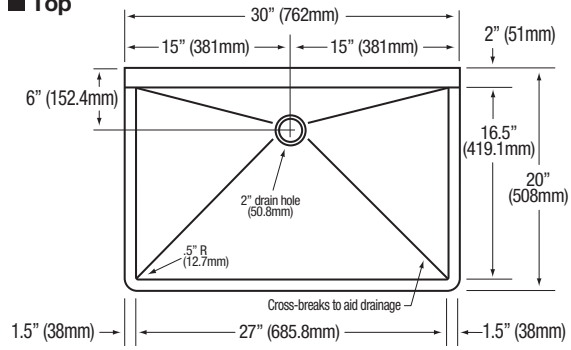
Notes:



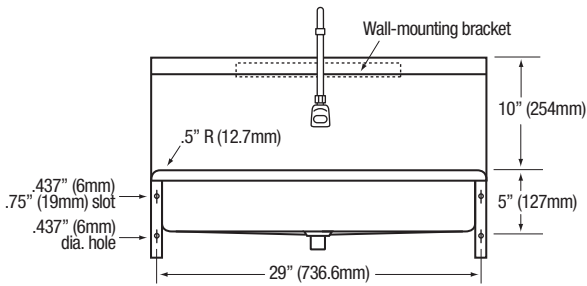
**WARNING:** Equipment that include faucets on this page may contain a chemical known to the State of California to cause cancer, birth defects or other reproductive harm.

**1-Person Hands-Free Wall Mount Stainless Steel Wash Station**  
**Models 5A1A, 5A1A-0.5, 5A1B and 5A1B-0.5**

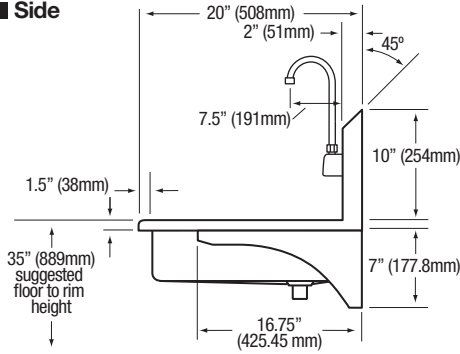
■ **Top**



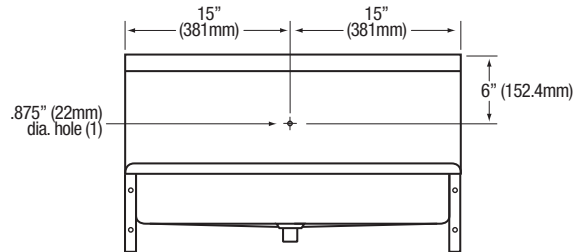
■ **Front**



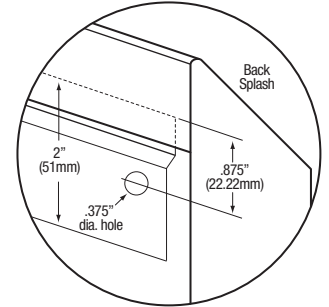
■ **Side**



■ **Hole Configuration**



■ **Wall Mounting Detail**



# SANI-LAV Sensor Faucets

Wall Mounted AC and Battery Powered  
Meets ANSI/ASME A112.18.1 M-1989



## Operation

1. A continuous, invisible beam is emitted from the sensor.
2. The faucet is activated by placing hands under the spout within the effective range of the beam. Water starts to flow immediately for as long as the user's hands remain in the sensor range.
3. When hands are removed, the water flow stops. The sensor will automatically reset and be ready for the next user.
4. In the battery powered version, a flashing red light will indicate a low battery condition.

## Specifications

### Faucet Construction

Solid brass, chrome plated

### Control Circuit

Solid state, AC or battery, switchable  
Preset at 20 seconds and adjustable to 10, 30, or 60 seconds

- Auto. Time-out
- Line Purge (request only)

2 minute run every 12 hours or 24 hours

- Scrub Mode Delay (request only)
- Sensor Range
- Shut-off Delay

60, 120, 180 seconds  
Preset and adjustable  
Presets and adjustable from 1-8 seconds

### Control Cable

Armored, vandal resistant

### Solenoid Valve

6V DC, normally closed

- Wattage: 0.4W (idle), 5W (in use)
- Operating Pressure: 5 psi to 125 psi

### Flow Control

2.0 or 0.5 GPM, Laminar Flow Control

## AC Mode

### Power Adapter

- Standard Plug-in
- (UL/CSA)
- Power Cable
- Optional Multi-Unit Adapter
- (UL/CSA)

Input AC 120V 60 Hz or 220V  
Output DC 12V, 0.8A/Class 2  
Armored, vandal resistant  
Serves up to 8 faucets  
Input AC 120V, Output DC 12V, 3A

## Battery Mode

### Battery Powered Models

(4) AA Alkaline Batteries

### Battery Service Life

400,000 on/off cycles, up to 4 years

## Package Includes

- (1) Faucet with electronic sensor
- (1) Control box w/6V DC solenoid
- (1) 12V DC plug-in power adaptor (H-6700C, -DC, -LR and -LRDC only)
- (1) In-line filter with clean-out trap
- (1) 18" Flex, S.S. supply tube, 3/8"(1) 6" Gooseneck Spout
- (1) Mounting hardware
- (1) 2.0 GPM Flow Control(4) AA Alkaline batteries (HB-6700C, -DC, -LR, -LRDC only)
- (1) Battery holder (HB-6700C, -DC, -LR, -LRDC only)

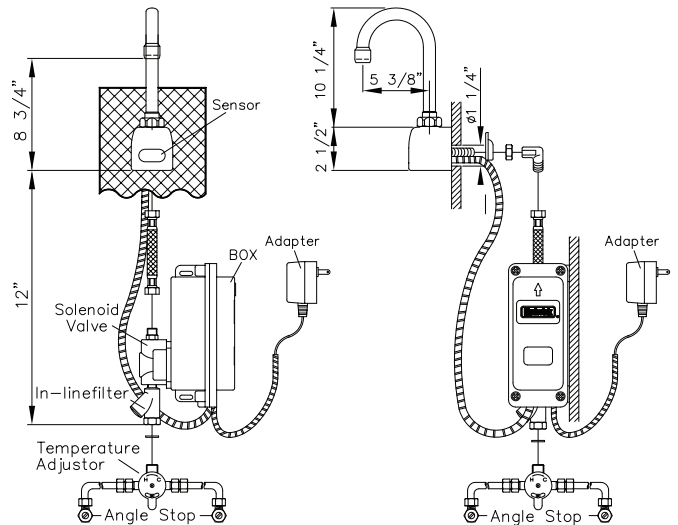
## Dimensions

- Base Width (Outside Measurement) 2-1/4"
- Base Depth 2-1/2"
- Faucet Height (Aerator to Base) 8-3/4"
- Faucet Height Overall 12-3/4"
- Depth (Center of Aerator to Center of Faucet Base) 5-3/8"
- Mounting Bolt Length 1-7/16"
- Mounting Bolt Pattern Single-hole mount

## Optional Variations and Accessories

- 0.35, 0.5, 1.5, 2.2 GPM Laminar Flow
- HC-010 Multi-Unit Voltage Adapter (AC Powered Only) - 8 units
- HC-0104 Multi-Unit Voltage Adapter (AC Powered Only) - 4 units
- HC-001 Mixing/Check Valve (Mechanical)
- HBL-04-LR Thermostatic Mixing Valve with Checks (Low Lead)
- 8" deep Gooseneck and 6" or 8" Swing Swing Spout Model

Model	Sensor Type	Flow-Rate
ES2RL	AC Powered	Standard 2.0 GPM
ES2RL-0.5	AC Powered	Low-Flow 0.5 GPM



Model	Sensor Type	Flow-Rate
ESB2RL	Battery Powered	Standard 2.0 GPM
ESB2RL-0.5	Battery Powered	Low-Flow 0.5 GPM

