

**4-Person Hands-Free Wall Mount Stainless Steel Wash Station**

Model	Flow-Rate
58W1	Standard 2.0 GPM
58W1-0.5	Low-Flow 0.5 GPM



**Product Specifications**

Constructed from welded #16 gauge type 304 stainless steel. The front, bottom and back are formed from a single sheet with a rolled rim on front and sides. Exposed surfaces have a blended uniform satin finish. Specially designed knee valves provide easy access to working parts without disconnecting mount or plumbing.

Outside Dimensions	80" x 20" x 18" High
Inside Bowl Size	77" x 16-1/2" x 8" Deep
Back Splash Height	10"
Water Activation	Single Knee Pedal Valve
Flow Rate	2 GPM
Inlet Connections	3/8" Male Compression
Drain Opening	2"
Finish	Satin
Strainer	1-1/2" Dia. Duo Basket Strainer
Wall Mounting Bracket	1/4" Dia. Mounting Holes

**Includes**

- (1) Wall mount wash station
- (4) Single knee pedal valve with 4 nuts
- (4) Swivel gooseneck spout with aerator
- (4) Connecting tube for valve to spout connection
- (8) Fittings, brass, 0.375" male compression and 0.375" male NPT
- (4) Mixing check valve
- (3) Wall-mounting brackets
- (3) Support brackets
- (2) Strainer assembly with basket

**Product Compliance**

NSF/ANSI 2 Food Equipment  
NSF/ANSI 372 Low-Lead



Part: \_\_\_\_\_ Quantity: \_\_\_\_\_

Project: \_\_\_\_\_

Contact: \_\_\_\_\_

Date: \_\_\_\_\_

Approval: \_\_\_\_\_

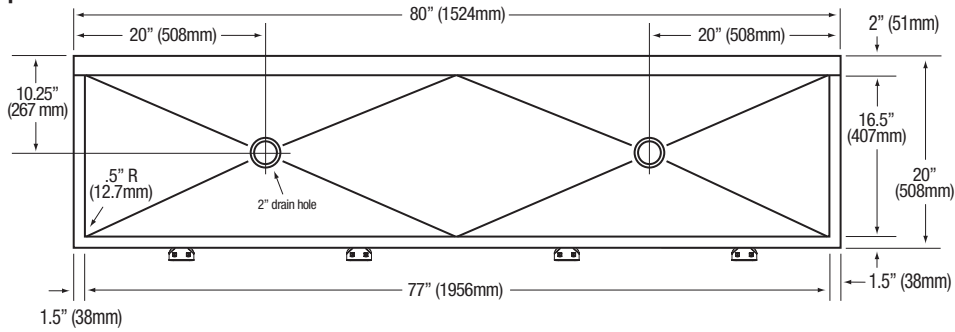
Notes:



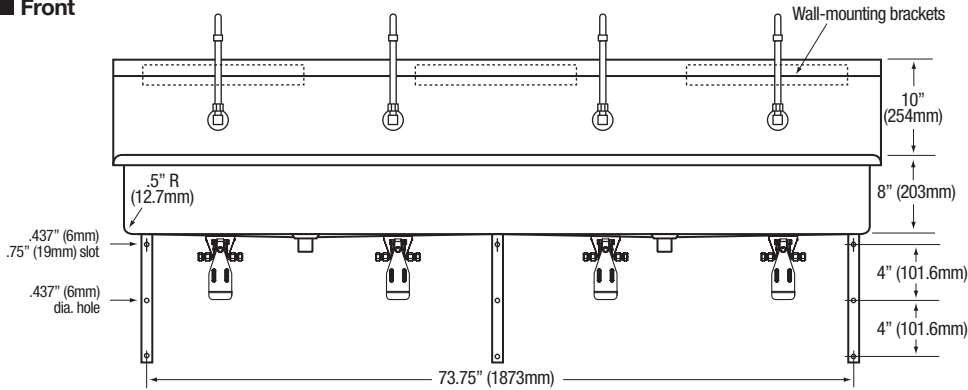
**WARNING:** Equipment that include faucets on this page may contain a chemical known to the State of California to cause cancer, birth defects or other reproductive harm.

**4-Person Hands-Free Wall Mount Stainless Steel Wash Station**  
**Models 58W1 and 58W1-0.5**

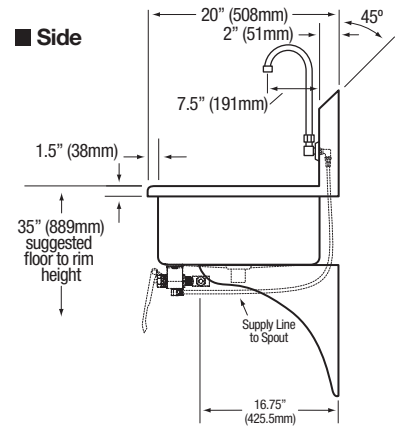
■ **Top**



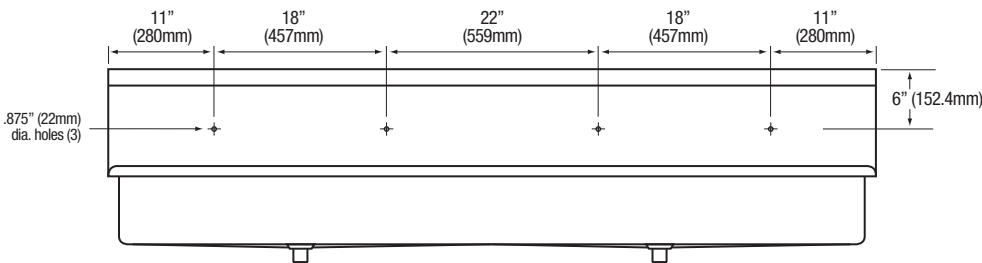
■ **Front**



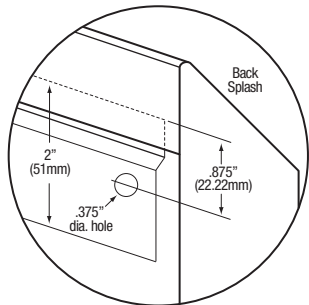
■ **Side**



■ **Hole Configurations**



■ **Wall Mounting Detail**



■ **Supply Line Detail**

