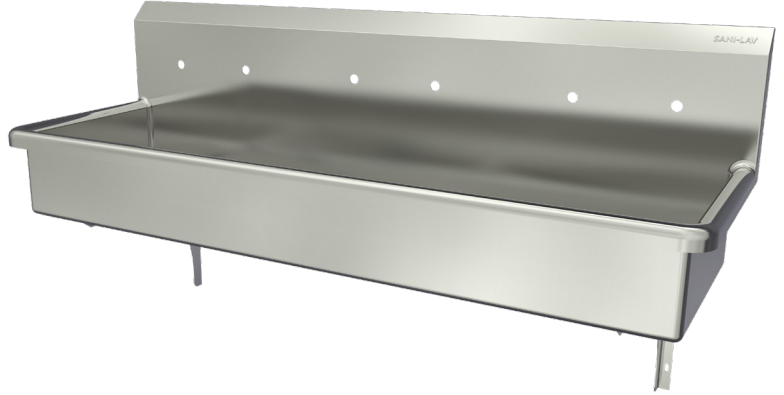


**3-Person Wall Mount
Stainless Steel Wash Station**

Model
56W8

Product Specifications

Constructed from welded #16 gauge type 304 stainless steel. The front, bottom and back are formed from a single sheet with a rolled rim on front and sides. Exposed surfaces have a blended uniform satin finish.



Outside Dimensions	60" x 20" x 18" High
Inside Bowl Size	57" x 16-1/2" x 8" Deep
Back Splash Height	10"
Faucet Mounting Center	8"
Faucet Mounting Holes	7/8" Dia.
Drain Opening	2"
Finish	Satin
Strainer	1-1/2" Dia. Duo Basket Strainer
Wall Mounting Bracket	1/4" Dia. Mounting Holes

Includes

- (1) Wall mount wash station
- (2) Wall-mounting brackets
- (2) Support brackets
- (1) Strainer assembly with basket

Product Compliance

NSF/ANSI 2 Food Equipment



Part: _____ Quantity: _____

Project: _____

Contact: _____

Date: _____

Approval: _____

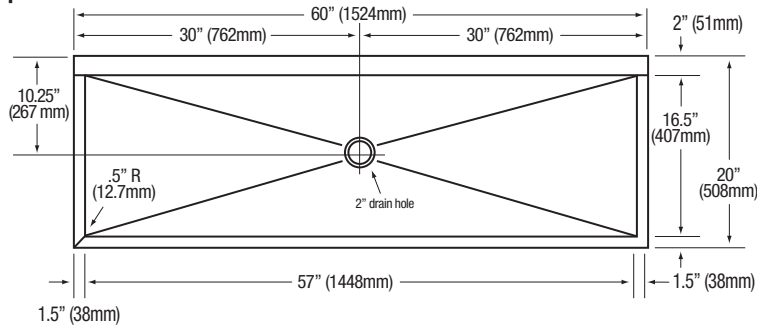
Notes:



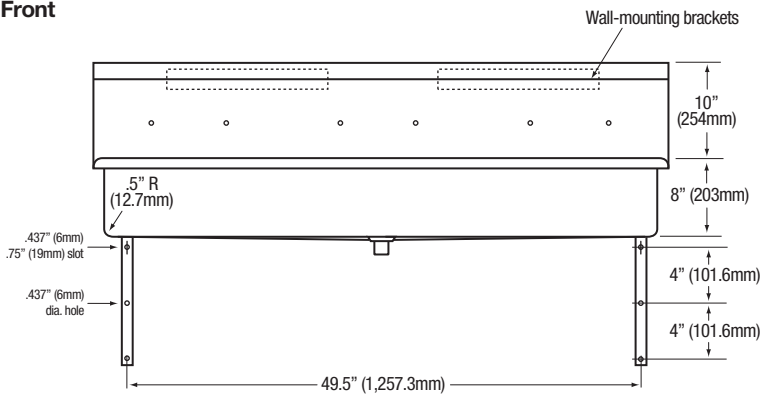
WARNING: Equipment that include faucets on this page may contain a chemical known to the State of California to cause cancer, birth defects or other reproductive harm.

3-Person Wall Mount Stainless Steel Wash Station Model 56W8

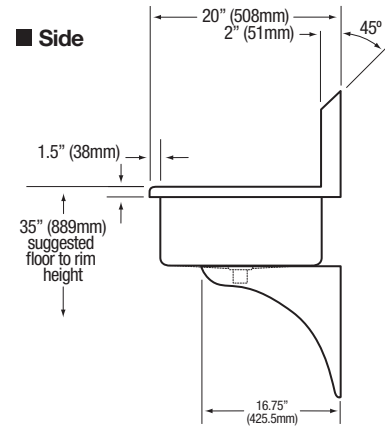
■ Top



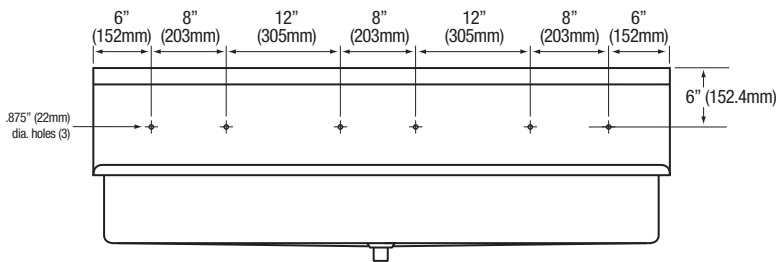
■ Front



■ Side



■ Hole Configurations



■ Wall Mounting Detail

