



2-Person Hands-Free Floor Mount Stainless Steel Wash Station

Model	Flow-Rate
54F1	Standard 2.0 GPM
54F1-0.5	Low-Flow 0.5 GPM

Product Specifications

Constructed from welded #16 gauge type 304 stainless steel. The front, bottom and back are formed from a single sheet with a rolled rim on front and sides. Exposed surfaces have a blended uniform satin finish. Specially designed foot valves provide easy access to working parts without disconnecting mount or plumbing.

Outside Dimensions	40" x 20" x 45" High
Inside Bowl Size	37" x 16-1/2" x 8" Deep
Back Splash Height	10"
Water Activation	Single Foot Pedal Valve
Flow Rate	2 GPM
Inlet Connections	3/8" Male Compression
Drain Opening	2"
Finish	Satin
Strainer	1-1/2" Dia. Duo Basket Strainer



Includes

- (1) Floor mount wash station
- (1) Leg assembly set
- (4) Washers and nuts for connection sink to leg assembly set
- (2) Single foot pedal valve (bottom mount) with 4 nuts
- (2) Swivel gooseneck spout with aerator
- (2) Connecting tube for valve to spout connection
- (4) Fittings, brass, 0.375" male compression and 0.375" male NPT
- (2) Mixing check valve
- (1) Strainer assembly with basket

Product Compliance

NSF/ANSI 2 Food Equipment
NSF/ANSI 372 Low-Lead



Part: _____ Quantity: _____

Project: _____

Contact: _____

Date: _____

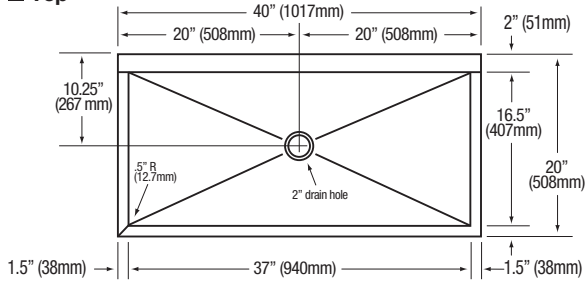
Approval: _____

Notes:

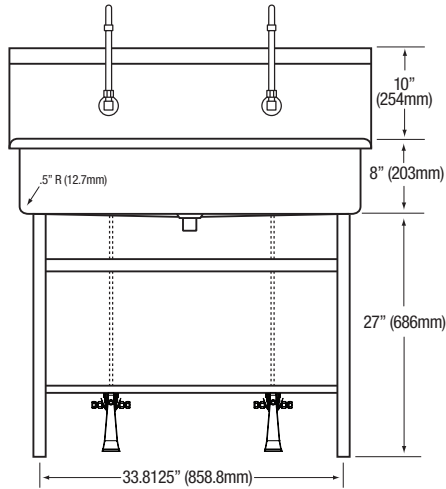


2-Person Hands-Free Floor Mount Stainless Steel Wash Station
Models 54F1 and 54F1-0.5

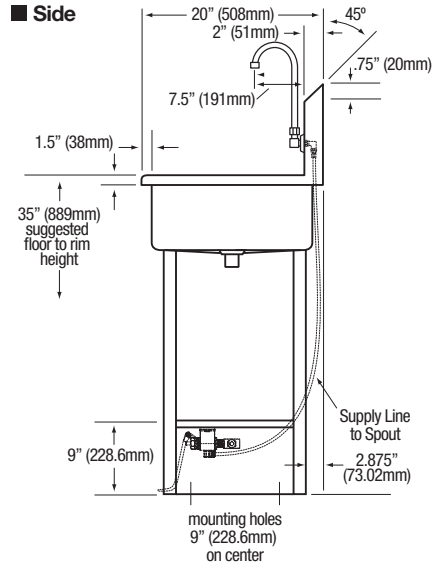
■ **Top**



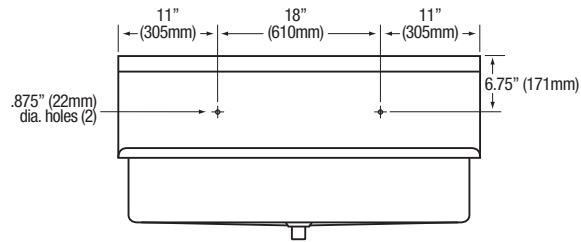
■ **Front**



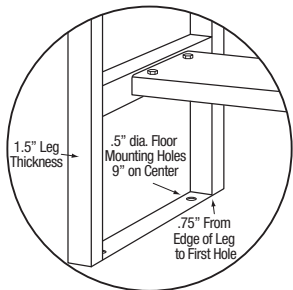
■ **Side**



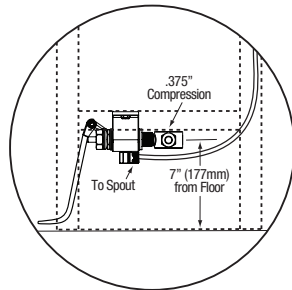
■ **Hole Configurations**



■ **Floor Mounting Detail**



■ **Plumbing Detail**



■ **Supply Line Detail**

