

**Floor Mount Stainless Steel Sink**

<b>Model</b>
532F8

**Product Specifications**

Seamless welded construction of 14 gauge type 304 stainless steel with a 1-1/2" rolled rim on front and sides. Exposed surfaces have a uniformed satin finish.

Outside Dimensions	31" x 20" x 45-1/2" High
Inside Bowl Size	28" x 16-1/2" x 10-1/2" Deep
Back Splash Height	8"
Faucet Mounting Center	8"
Faucet Mounting Holes	7/8"
Drain Opening	3-1/2"
Finish	Satin
Strainer	Basket Type



**Includes**

- (1) Floor mount sink
- (1) Leg assembly set
- (4) Washers and nuts for connecting sink to leg assembly set
- (1) Strainer assembly with basket

**Product Compliance**

NSF/ANSI 2 Food Equipment



Part: \_\_\_\_\_ Quantity: \_\_\_\_\_

Project: \_\_\_\_\_

Contact: \_\_\_\_\_

Date: \_\_\_\_\_

Approval: \_\_\_\_\_

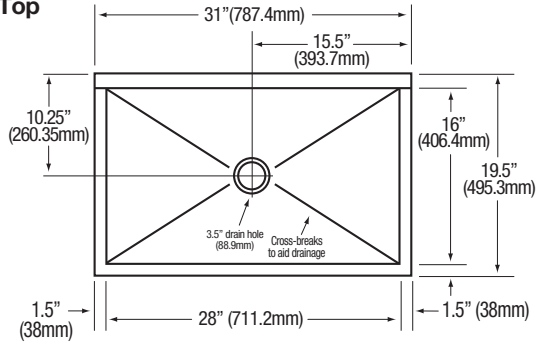
Notes:



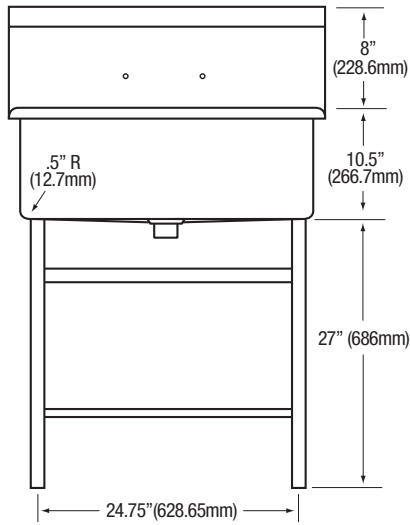
**WARNING:** Equipment that include faucets on this page may contain a chemical known to the State of California to cause cancer, birth defects or other reproductive harm.

**Floor Mount Stainless Steel Scrub Sink  
Model 532F8**

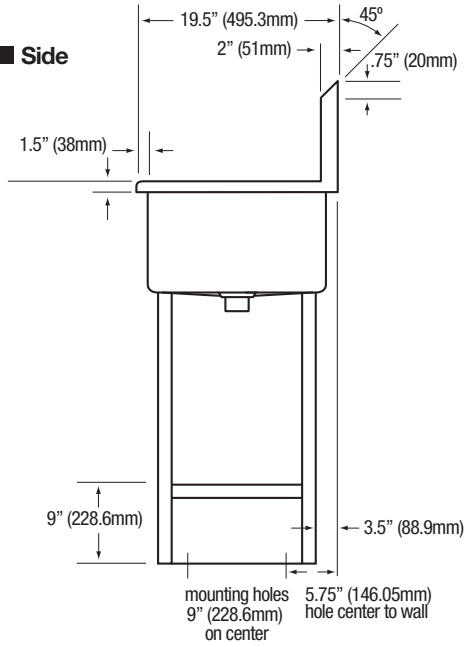
■ **Top**



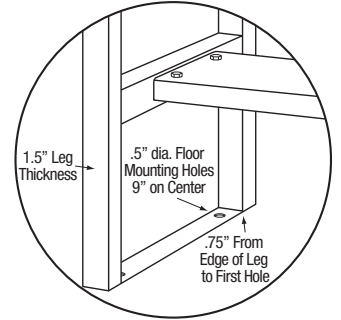
■ **Front**



■ **Side**



■ **Floor Mounting Detail**



■ **Hole Configurations**

