



Floor Mount Stainless Steel Scrub Sink

Model	Flow-Rate
531FF	Standard 2.0 GPM
531FF-0.5	Low-Flow 0.5 GPM

Product Specifications

Seamless welded construction of 14 gauge type 304 stainless steel with a 1-1/2" rolled rim on front and sides. Exposed surfaces have a uniformed satin finish.

Outside Dimensions	25" x 20" x 18-1/2" High
Inside Bowl Size	22" x 16-1/2" x 10-1/2" Deep
Back Splash Height	8"
Faucet Mounting Center	8"
Faucet Mounting Holes	7/8"
Water Activation	Manual Faucet with 4" Handles
Flow Rate	2 GPM
Inlet Connections	1/2" Male NPT
Drain Opening	3-1/2"
Finish	Satin
Strainer	Basket Type



Includes

- (1) Wall mount sink
- (1) 8" on center faucet
- (1) Faucet mounting kit
- (1) Wall-mounting bracket
- (2) Support brackets
- (1) Strainer assembly with basket

Product Compliance

NSF/ANSI 2 Food Equipment
 NSF/ANSI 61, Section 9
 ASME A112.18.1/CSA B125.1



Part: _____ Quantity: _____

Project: _____

Contact: _____

Date: _____

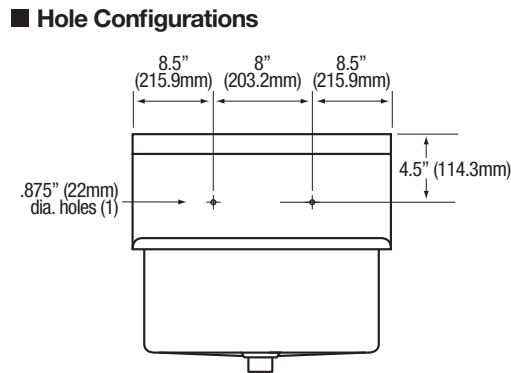
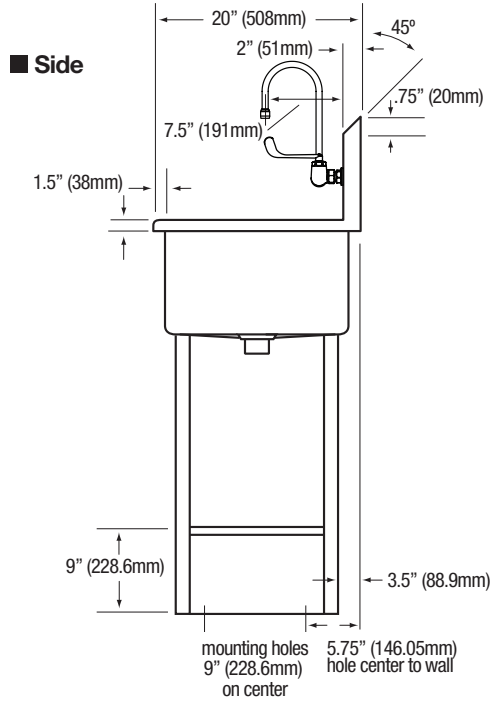
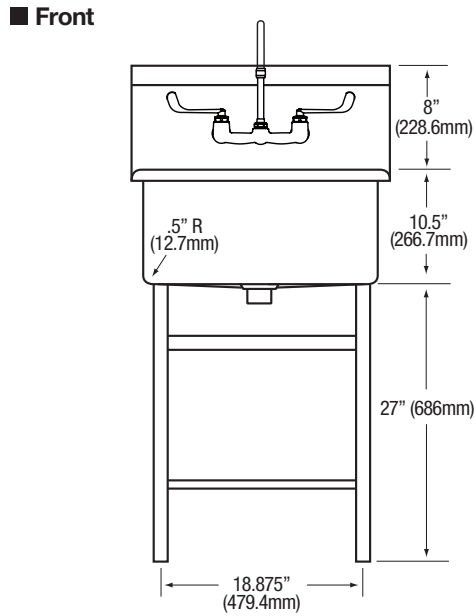
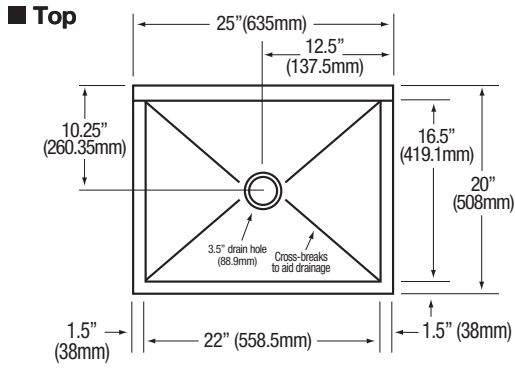
Approval: _____

Notes:

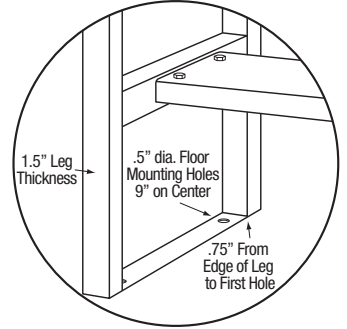


WARNING: Equipment that include faucets on this page may contain a chemical known to the State of California to cause cancer, birth defects or other reproductive harm.

Floor Mount Stainless Steel Scrub Sink
Models 531F and 531FL-0.5



■ **Floor Mounting Detail**



■ **Supply Line Detail**

