



**Hands-Free Wall Mount Stainless Steel Sink**

Model	Flow-Rate
5041	Standard 2.0 GPM
5041-0.5	Low-Flow 0.5 GPM

**Product Specifications**

Hands-Free operation is ideal for use in food service applications. Built to last using 16-gauge, type 304 stainless steel. Exposed surfaces have a satin finish. Specially designed knee valve provides easy access to working parts without disconnecting mount or plumbing.

Outside Dimensions	23" x 20-1/2" x 19-1/2" High
Inside Bowl Size	20" x 17" x 9" Deep
Back Splash Height	10-1/2"
Water Activation	Single Knee Pedal Valve
Flow Rate	2 GPM
Inlet Connections	3/8" Male Compression
Drain Opening	2"
Finish	Satin
Strainer	1-1/2" Dia. Duo Basket Strainer
Wall Mounting Bracket	1/4" Dia. Mounting Holes

**Includes**

- (1) Wall mount sink
- (1) Single knee pedal valve with 2 nuts
- (1) Swivel gooseneck spout with aerator
- (1) Connecting tube for valve to spout connection
- (2) Fittings, brass, 0.375" male compression and 0.375" male NPT
- (1) Mixing check valve
- (1) Wall-mounting bracket
- (2) Support brackets with 4 mounting bolts
- (1) Strainer assembly with basket

**Product Compliance**

NSF/ANSI 2 Food Equipment  
NSF/ANSI 372 Low-Lead



Part: \_\_\_\_\_ Quantity: \_\_\_\_\_

Project: \_\_\_\_\_

Contact: \_\_\_\_\_

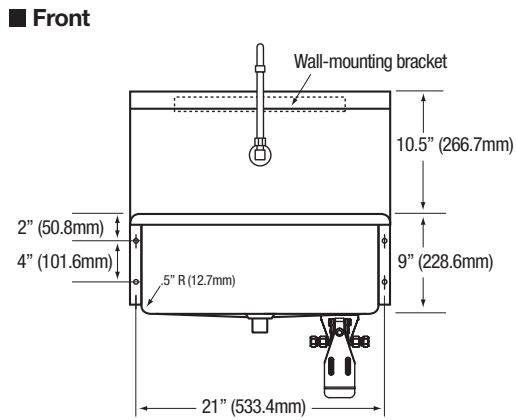
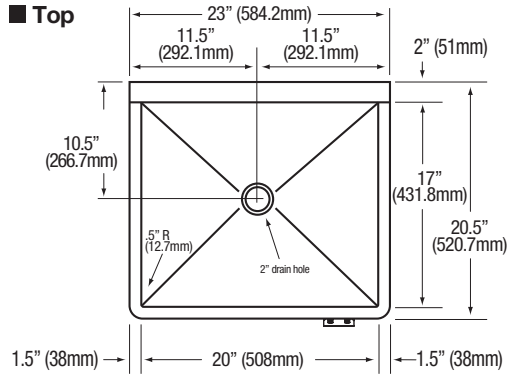
Date: \_\_\_\_\_

Approval: \_\_\_\_\_

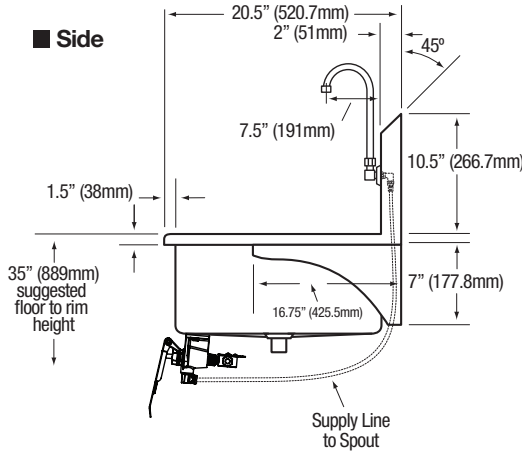
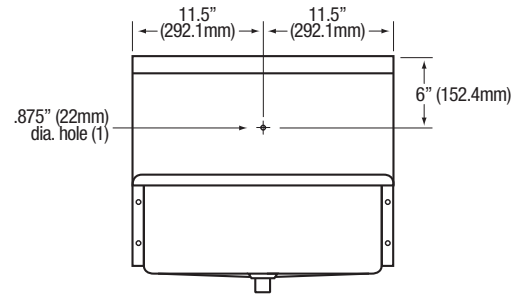
Notes:



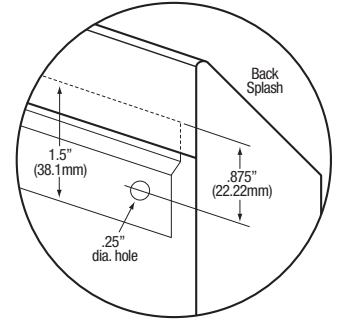
**Hands-Free Wall Mount Stainless Steel Sink  
Models 5041 and 5041-0.5**



**■ Hole Configuration**



**■ Wall Mounting Detail**



**■ Supply Line Detail**

