



**Floor Mount Stainless Steel Sink**

Model	Flow-Rate
503FL	Standard 2.0 GPM
503FL-0.5	Low-Flow 0.5 GPM

**Product Specifications**

Deep drawn from heavy duty 18-gauge type 304 stainless steel with large rounded corners. Exposed surfaces have an electropolished finish to enhance resistance to corrosion, reduce any bacterial growth and make for easier cleaning.

Outside Dimensions	19" x 18" x 41-1/2" High
Inside Bowl Size	17" x 14" x 7" Deep
Back Splash Height	9-1/2"
Side Splash Height	9-1/2"
Water Activation	Manual Faucet with 4" Handles
Faucet Mounting Center	8"
Flow Rate	2 GPM
Inlet Connections	1/2" Male NPT
Drain Opening	2"
Finish	Electropolished
Strainer	1-1/2" Dia. Duo Basket Strainer

**Includes**

- (1) Sink bowl
- (1) Pedestal base
- (1) Set of 6 mounting nuts to attach bowl to pedestal base
- (1) 8" on center faucet
- (1) Faucet mounting kit - Model SMK
- (1) Strainer assembly with basket

**Product Compliance**

NSF/ANSI 2 Food Equipment  
 NSF/ANSI 61, Section 9  
 ASME A112.18.1/CSA B125.1



Part: \_\_\_\_\_ Quantity: \_\_\_\_\_

Project: \_\_\_\_\_

Contact: \_\_\_\_\_

Date: \_\_\_\_\_

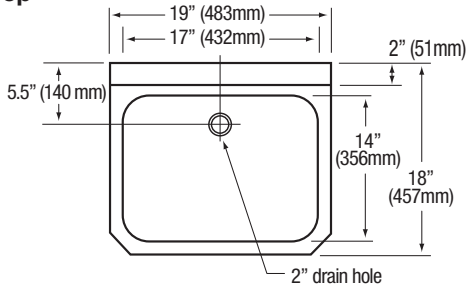
Approval: \_\_\_\_\_

Notes:

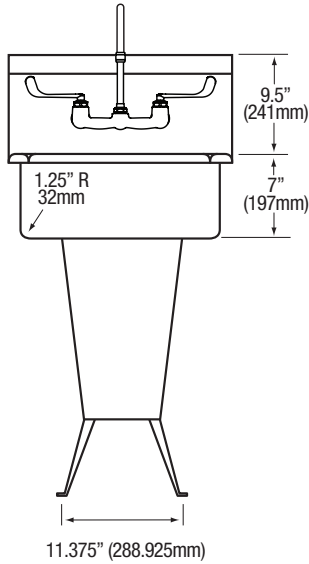


**Floor Mount Stainless Steel Sink**  
**Models 503FL and 503FL-0.5**

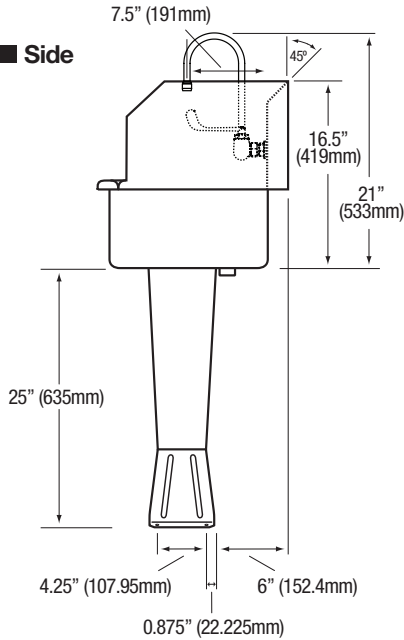
■ **Top**



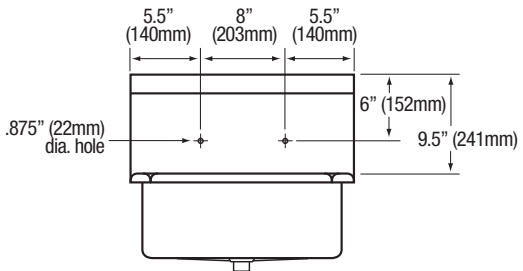
■ **Front**



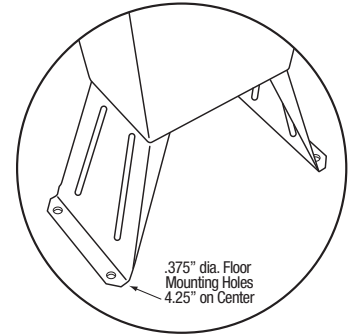
■ **Side**



■ **Hole Configurations**



■ **Floor Mounting Detail**



■ **Supply Line Detail**

