

SANI-LAV[®] COLUMBIA PRODUCTS

Small-Sized Industrial Nozzles with Non-Stick Design

Model N9 Series

O-Glide



Model N9B



Model N9BS



Model N9W



Model N9WS



Model N17 and N17S Swivel Hose Adapter
(Sold Separately)

N9 O-Glide Series Universal Features

- Unique patent pending *O-Glide* design allows for a long lasting non-stick operation
- Heavy-duty brass body with brass components (N9B and N9W)
- Heavy-duty stainless steel body with stainless steel components (N9BS and N9WS)
- Insulated rubber cover
- Stainless Steel handle with insulated molded Santoprene™ grip
- Safety shut off trigger when released
- 3/4" GHT inlet allows direct hose connection
- Threaded 3/4" Male GHT tip
- Maximum working pressure 150 psi
- Maximum operating temperature: 200°F/93°C
- Weight 0.8 lbs.
- Dimensions: L 5.48" x H 6.13" x W 1.29"

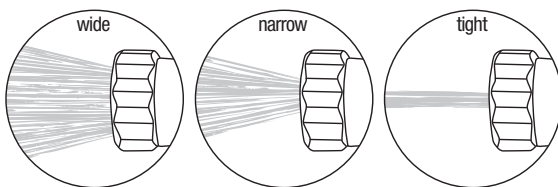
Models

Color	Model	Body
Black/Blue Tip	N9B	Brass
White/Blue Tip	N9W	Brass
Black/Blue Tip	N9BS	Stainless Steel
White/Blue Tip	N9WS	Stainless Steel

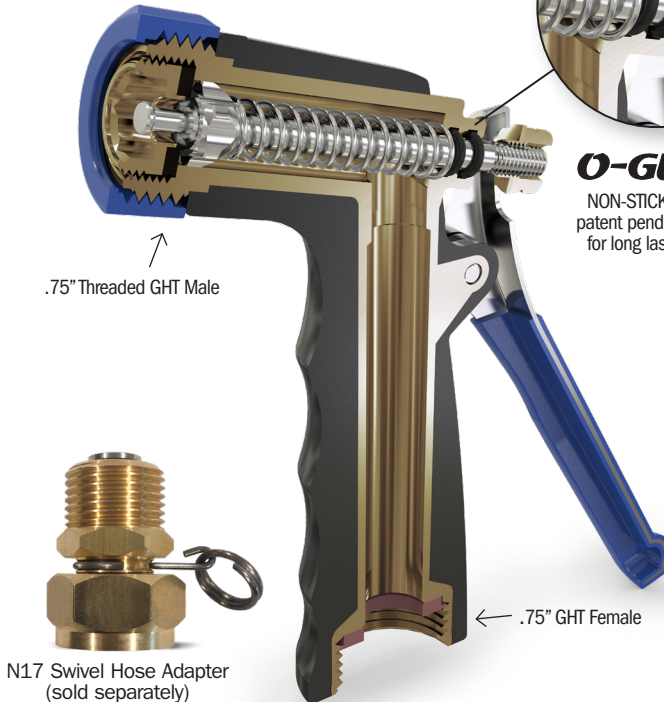
Quick Specs

Max Temperature	200°F/93°C
Max Pressure	150 psi
Inlet	3/4" Female GHT
Tip	Threaded 3/4" Male GHT
Body Material	Stainless Steel (N9B and N9W)
Body Material	Brass (N9BS and N9WS)
Handle Type	Insulated Stainless Steel
Weight	0.8 lbs.
Hose Adapter	Model N17 and N17S (Sold Separately)
Dimensions	L 5.48" x H 6.13" x W 1.29"

Variable Spray Nozzle – trigger lever controls variable spray pattern.

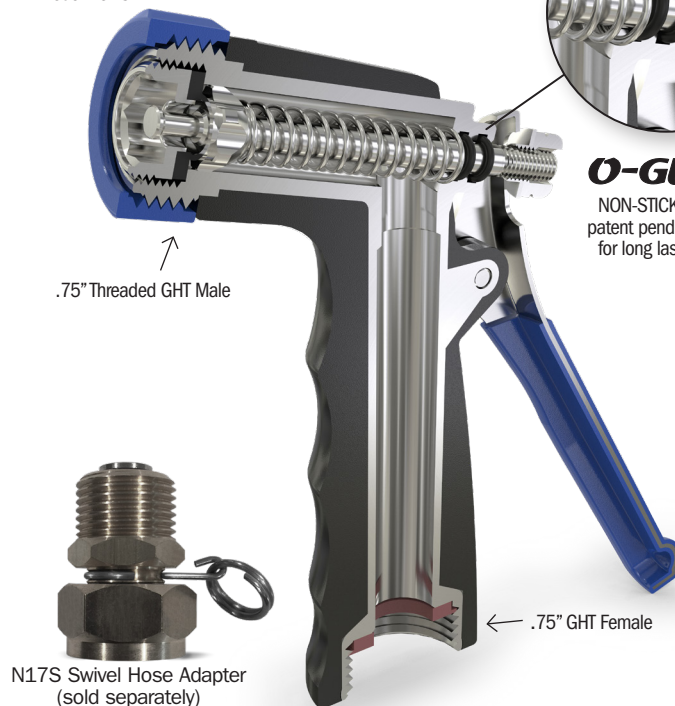


Model N9B



O-Glide
NON-STICK O-Glide patent pending design for long lasting use.

Model N9BS



O-Glide
NON-STICK O-Glide patent pending design for long lasting use.

Notice for California Consumers

WARNING: This product can expose you to chemicals including Lead, and Phthalates (DEHP) which are known to the State of California to cause cancer and birth defects or other reproductive harm. For more information go to www.P65Warnings.ca.gov.