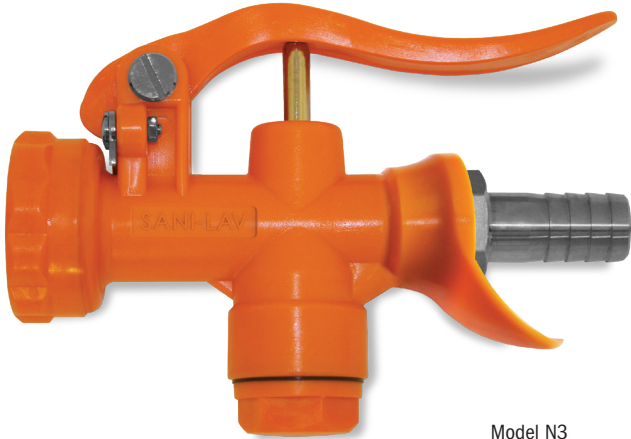
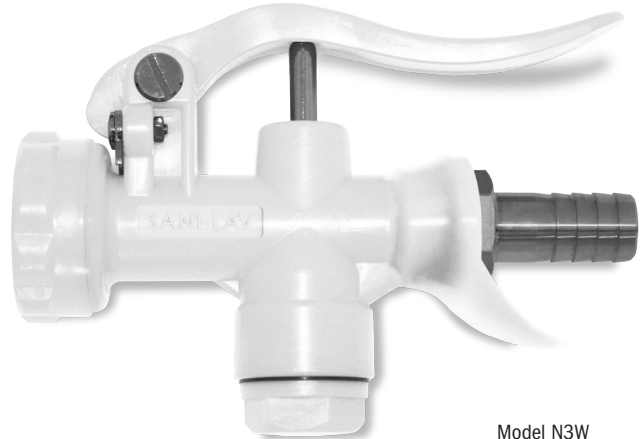


SANI-LAV[®] COLUMBIA PRODUCTS

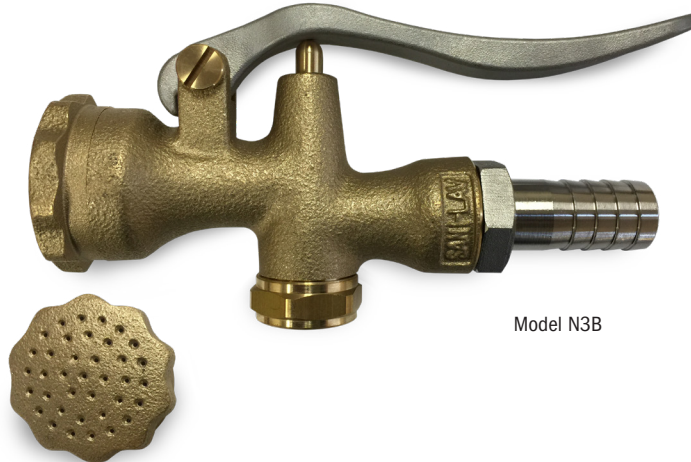
Mid-Sized Spray Nozzles Models N3, N3W and N3B



Model N3



Model N3W



Model N3B



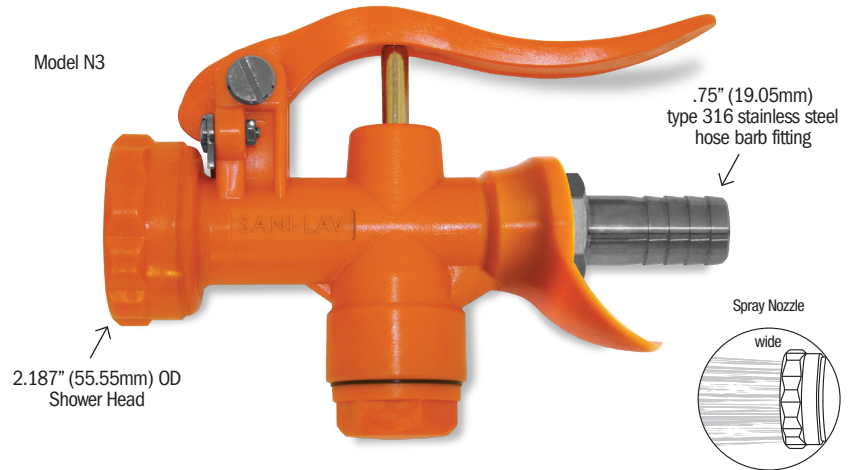
N3 Universal Features

A lightweight and durable design for use in the food processing industry. Constructed from corrosion resistant reinforced plastic, with stainless steel type 316 hose barb and high temperature resistant washers and o-rings. Replacement parts available.

Quick Specs

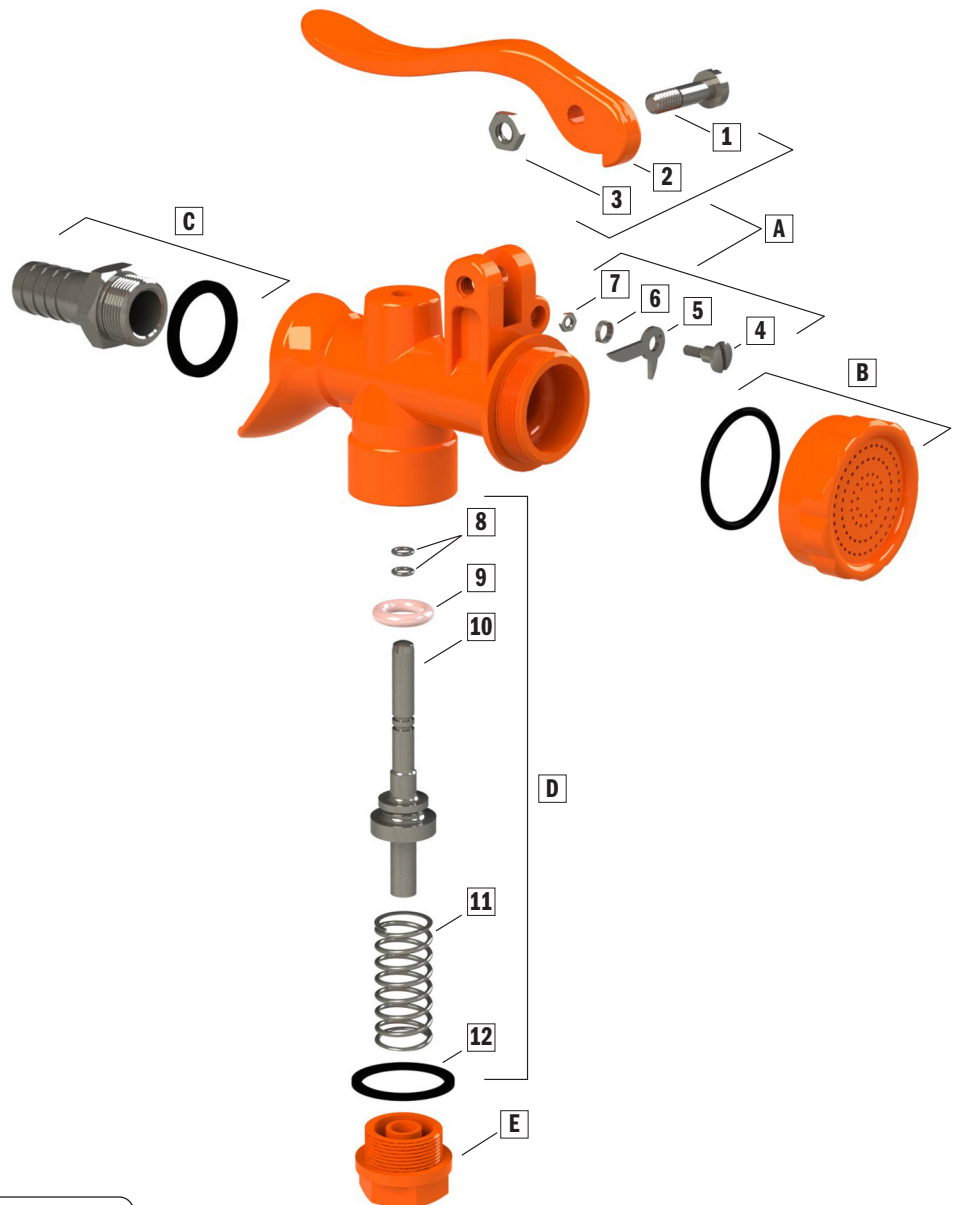
Color	Safety Orange
Max Temperature	185°F/85°C
Max Pressure	100 psi
Inlet	3/4" Hose Barb
Flow Rate	14.6 GPM at 100 psi
Tip	Not threaded
Body Material	Reinforced plastic
Components	Stainless steel
Handle Type	Reinforced plastic
Trigger	Safety shut off when released
Hose Adapter	3/4" Hose Barb
Weight	0.9 lbs.
Dimensions	L 7 1/8" x H 5" x W 2 1/8"

Model N3



N3 Replacement Parts

Part No.	Description
A N3HR	Orange handle replacement kit
1	Stainless steel handle bolt
2	Viton handle
3	Stainless steel handle nut
4	Stainless steel auto on clip bolt
5	Stainless steel auto on clip
6	Stainless steel auto on clip spring
7	Stainless steel auto on clip nut
B N3ST	Orange spray tip and o-ring
C N3HB	Stainless steel hose barb and o-ring
D N3BR	Barrel cartridge replacement kit
8	O-ring (2)
9	O-ring
10	Barrel adjustment
11	Stainless steel spring
12	O-ring
E N3EC	Orange end cap



Water Flow Rates

PSI	Standard GPM
20	6.2
30	7.7
40	9.0
50	10.0
60	11.0
70	12.0
80	13.0
90	13.9
100	14.6

Notice for California Consumers

WARNING: This product can expose you to chemicals including Lead, and Phthalates (DEHP) which are known to the State of California to cause cancer and birth defects or other reproductive harm. For more information go to www.P65Warnings.ca.gov.

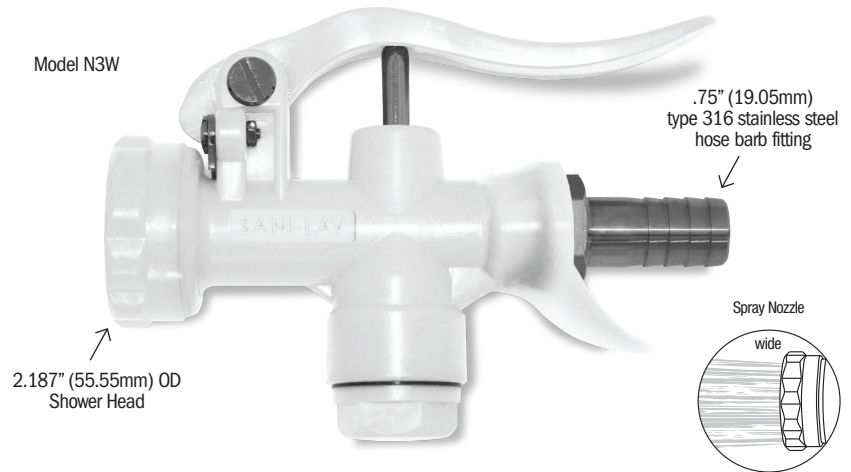
N3W Universal Features

A lightweight and durable design for use in the food processing industry. Constructed from corrosion resistant reinforced plastic, with stainless steel type 316 hose barb and high temperature resistant washers and o-rings. Replacement parts available.

Quick Specs

Color	White
Max Temperature	185°F/85°C
Max Pressure	100 psi
Inlet	3/4" Hose Barb
Flow Rate	14.6 GPM at 100 psi
Tip	Not threaded
Body Material	Reinforced plastic
Components	Stainless steel
Handle Type	Reinforced plastic
Trigger	Safety shut off when released
Hose Adapter	3/4" Hose Barb
Weight	0.9 lbs.
Dimensions	L 7 1/8" x H 5" x W 2 1/8"

Model N3W



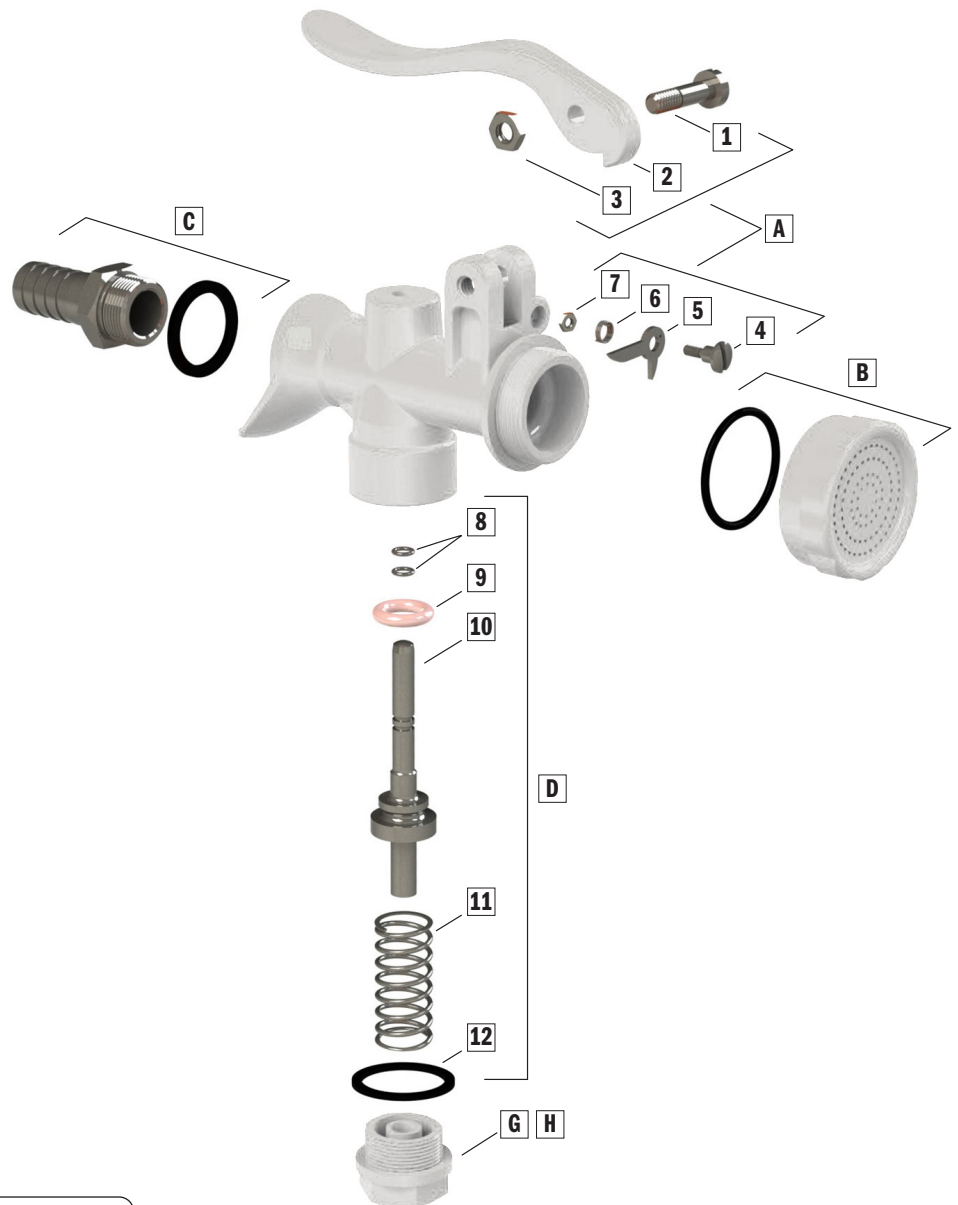
2.187" (55.55mm) OD Shower Head

.75" (19.05mm) type 316 stainless steel hose barb fitting

Spray Nozzle

N3W Replacement Parts

Part No.	Description
A N3WHR	White handle replacement kit
1	Stainless steel handle bolt
2	Viton handle
3	Stainless steel handle nut
4	Stainless steel auto on clip bolt
5	Stainless steel auto on clip
6	Stainless steel auto on clip spring
7	Stainless steel auto on clip nut
B N3WST	White spray tip and o-ring
C N3HB	Stainless steel hose barb and o-ring
D N3BR	Barrel cartridge replacement kit
8	O-ring (2)
9	O-ring
10	Barrel adjustment
11	Stainless steel spring
12	O-ring
E N3WEC	White end cap



Water Flow Rates

PSI	Standard GPM
20	6.2
30	7.7
40	9.0
50	10.0
60	11.0
70	12.0
80	13.0
90	13.9
100	14.6

Notice for California Consumers

WARNING: This product can expose you to chemicals including Lead, and Phthalates (DEHP) which are known to the State of California to cause cancer and birth defects or other reproductive harm. For more information go to www.P65Warnings.ca.gov.

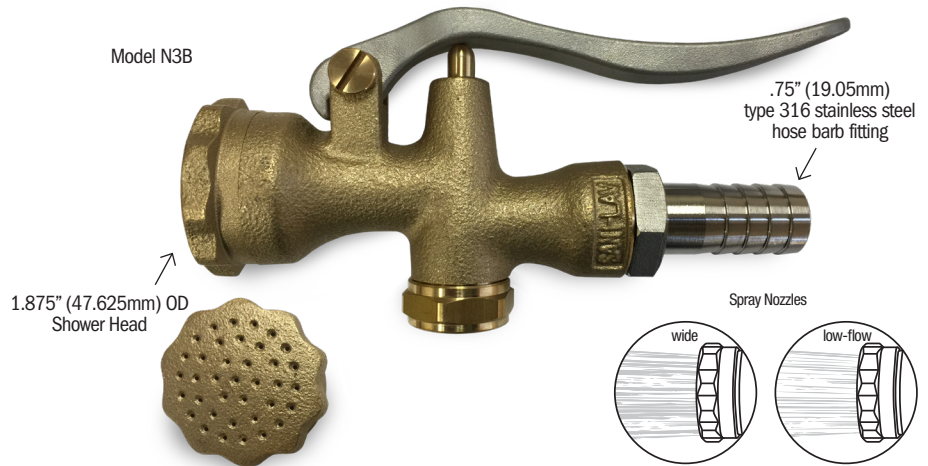
N3B Universal Features

Hog wash nozzle designed for use in the food processing industry. Constructed with heavy-duty brass and stainless steel components, a stainless steel type 316 hose barb and high temperature resistant washers and o-rings. Replacement parts available.

Quick Specs

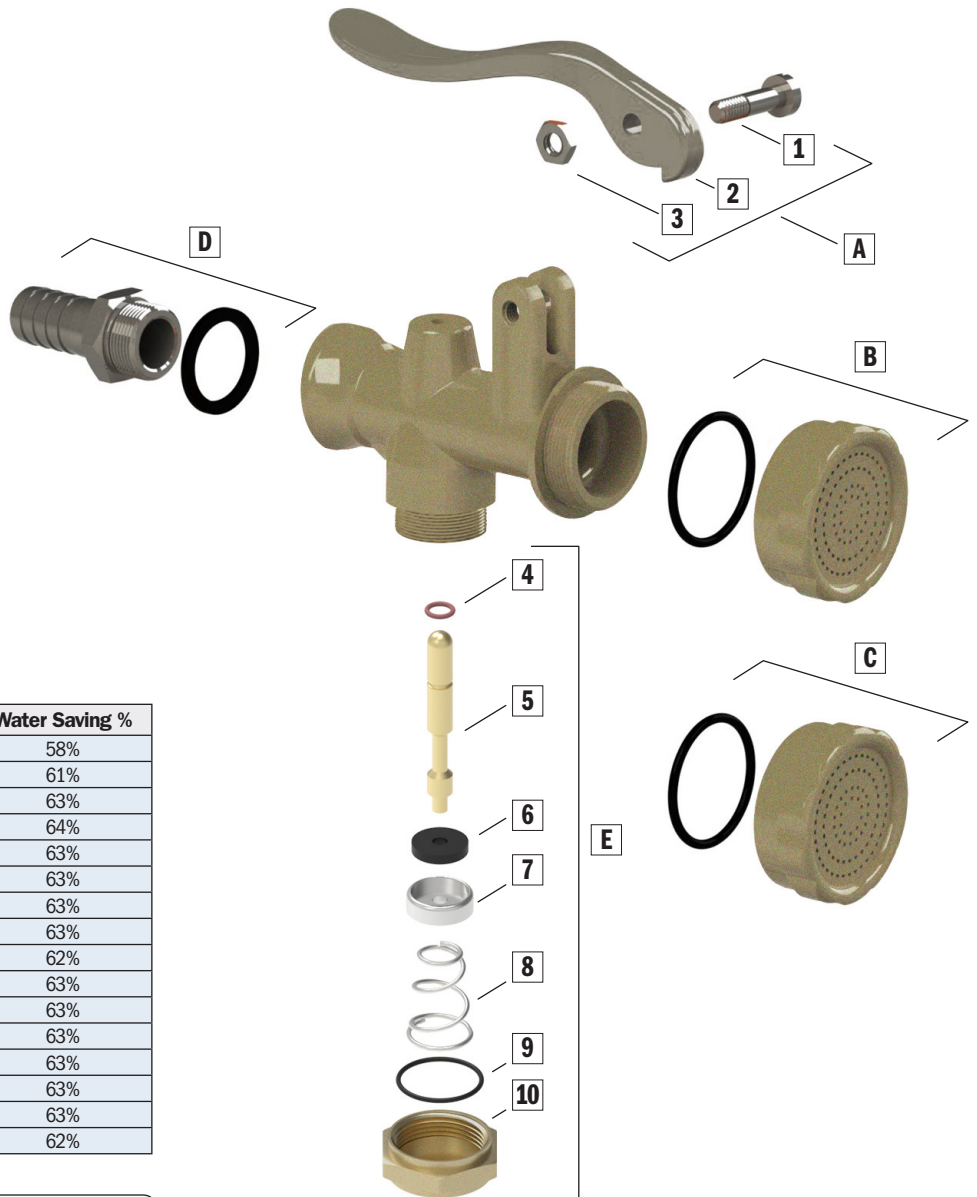
Color	Brass
Max Temperature	100°F/37°C
Max Pressure	200 psi
Inlet	3/4" Hose Barb
Flow Rate	14.1 GPM at 100 psi
Tip	Not threaded
Body Material	Brass
Components	Stainless steel
Handle Type	Stainless steel
Trigger	Safety shut off when released
Hose Adapter	3/4" Hose Barb
Weight	1.9 lbs.
Dimensions	L 7.5" x H 3.5" x W 2"

Model N3B



N3B Replacement Parts

Part No.	Description
A N3BHR	Handle replacement kit
1	Brass handle bolt
2	Stainless steel handle
3	Brass handle nut
B N3BST	Brass spray tip and o-ring
C N3BSTL	Brass Low-flow spray tip and o-ring
D N3HB	Stainless steel hose barb and o-ring
E N3BBR	Barrel cartridge replacement kit
4	O-ring
5	Barrel adjustment
6	Viton washer
7	Washer cap
8	Stainless steel spring
9	O-ring
10	Brass end cap



Water Flow Rate Comparison

PSI	Standard GPM	Low-flow GPM	Water Saving %
20	6.2	2.6	58%
30	7.7	3.0	61%
40	9.0	3.3	63%
50	10.2	3.7	64%
60	11.0	4.1	63%
70	11.7	4.3	63%
80	12.7	4.7	63%
90	13.4	5.0	63%
100	14.1	5.3	62%
110	14.7	5.5	63%
120	15.4	5.7	63%
130	15.9	5.9	63%
140	16.5	6.1	63%
150	17.7	6.6	63%
175	19.2	7.1	63%
200	19.7	7.5	62%

Notice for California Consumers

WARNING: This product can expose you to chemicals including Lead, and Phthalates (DEHP) which are known to the State of California to cause cancer and birth defects or other reproductive harm. For more information go to www.P65Warnings.ca.gov.