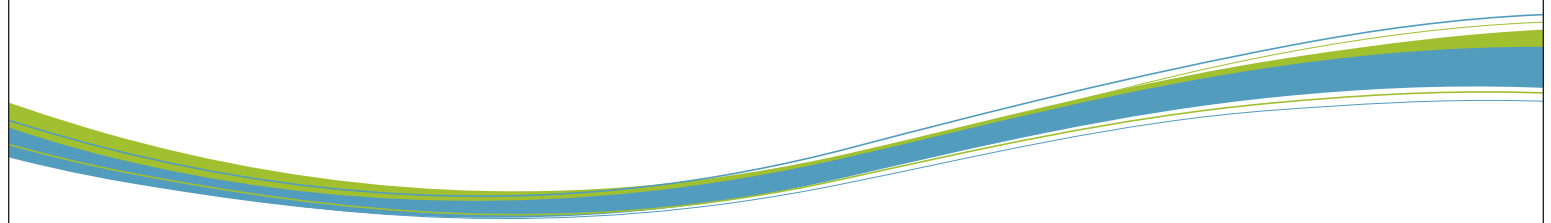
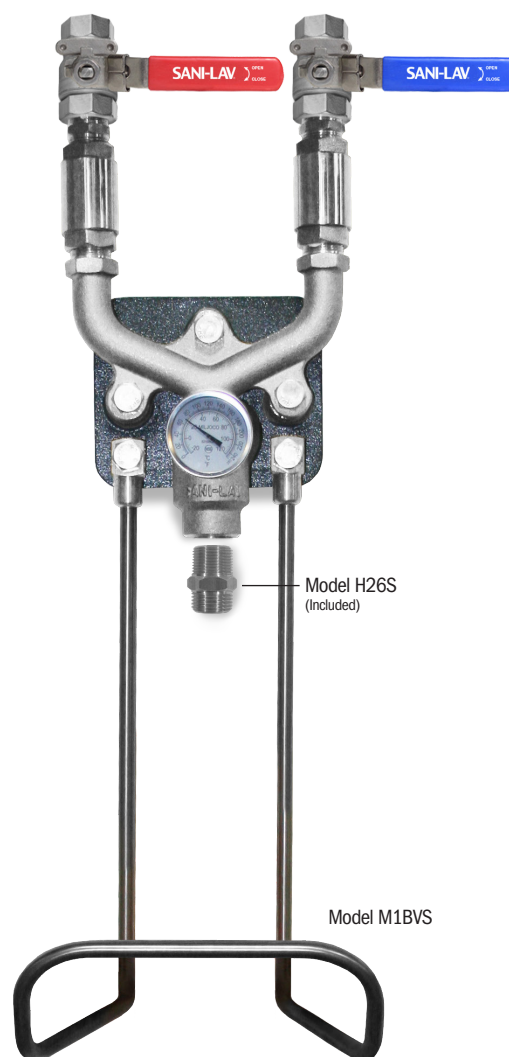
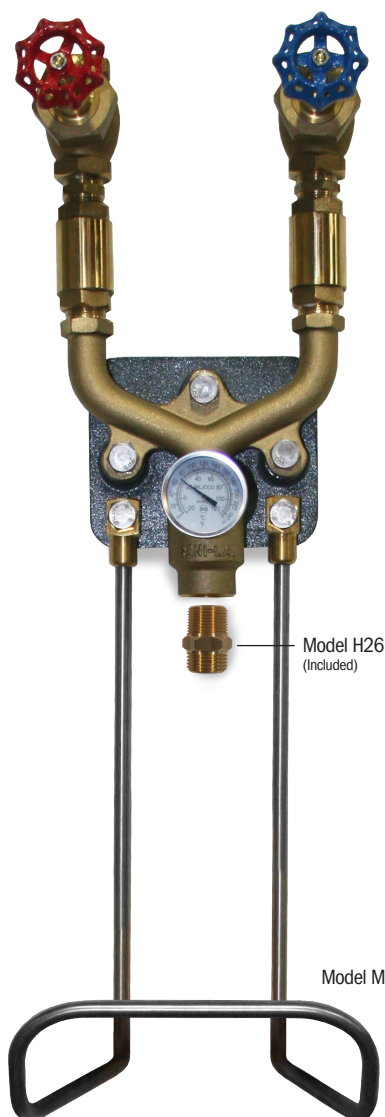


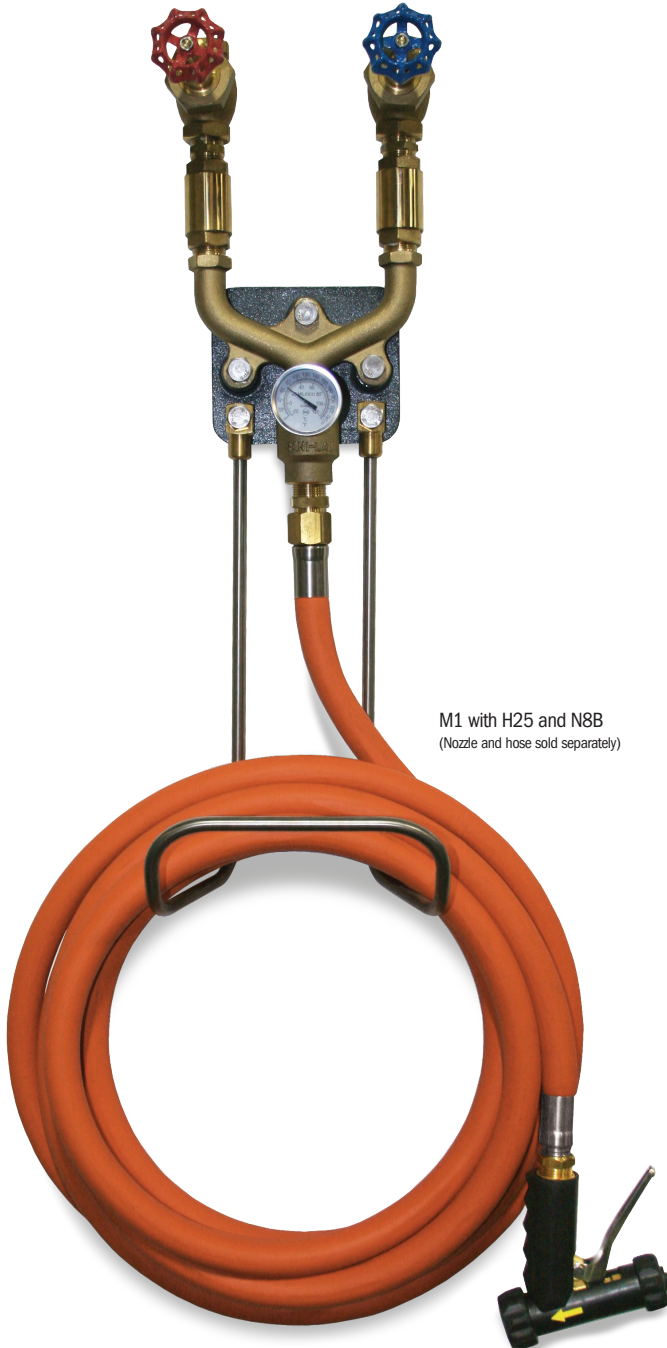
SANI-LAV[®] COLUMBIA PRODUCTS

Hot and Cold-Water Mixing Stations Model M1, and M1BVS

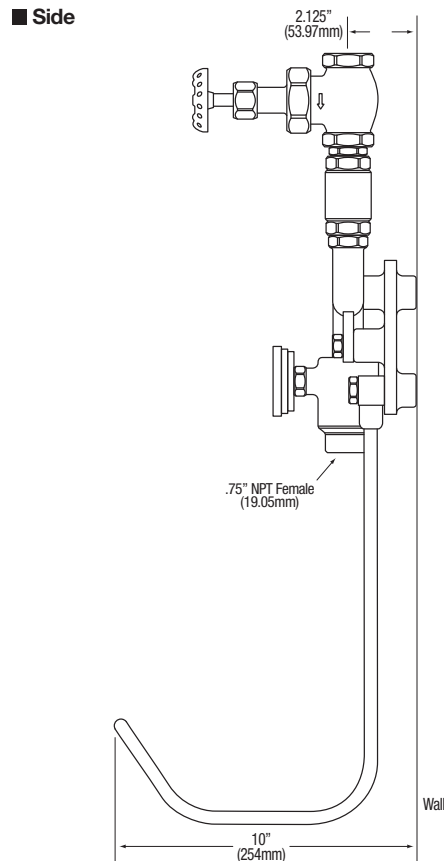
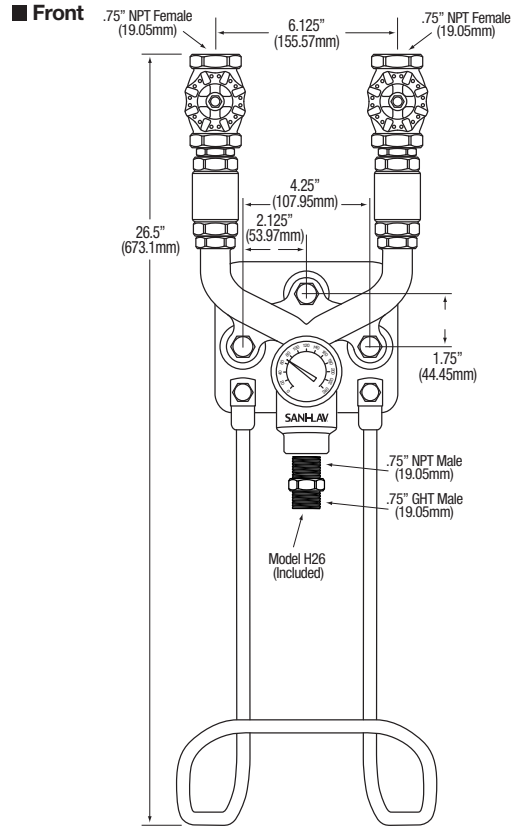


Quick Specs

Max Temperature	200°F/93°C
Max Pressure	300 psi
Inlet	3/4" Female NPT
Connection	FNPT x MGHT
Body Material	Brass
Hose Outlet Connection	3/4" Male GHT or 3/4" Male NPT
Temperature Gauge	Yes
Hose Rack Material	Stainless Steel
Inlet Valve Type	Globe Valves
Flow Rate	Adjustable
Dimensions	L 10" x W 10" x H 26.5"
Note	Not Suitable for Steam Service



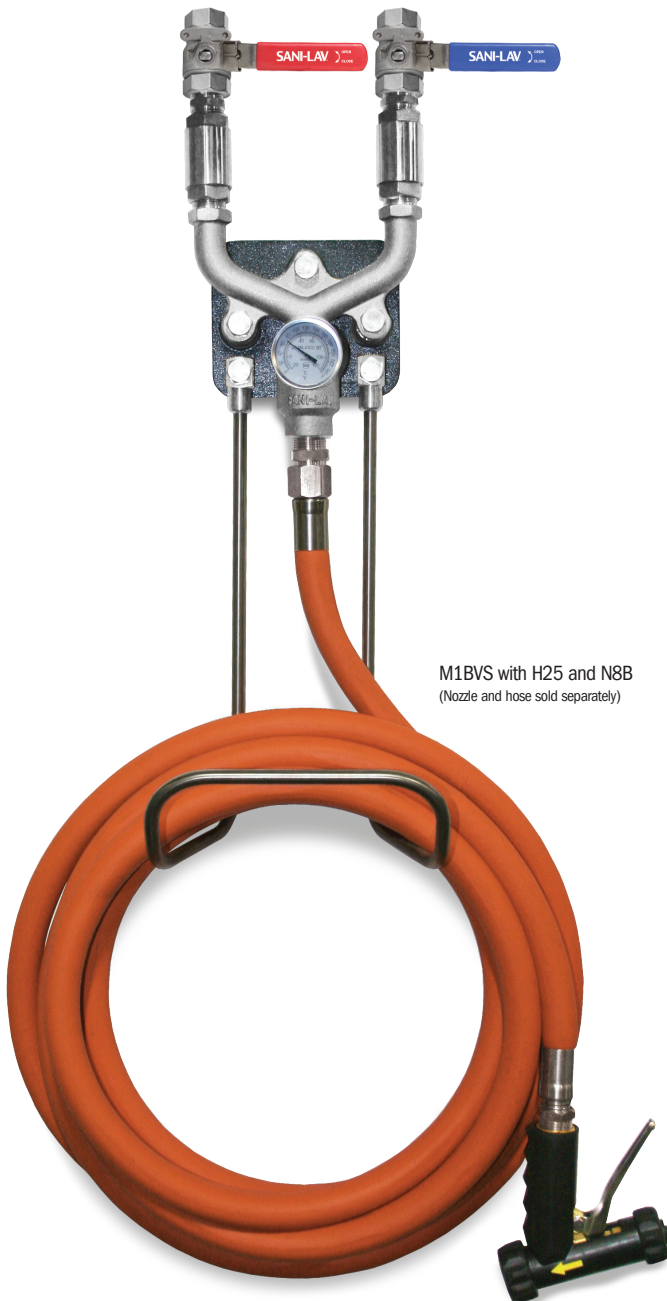
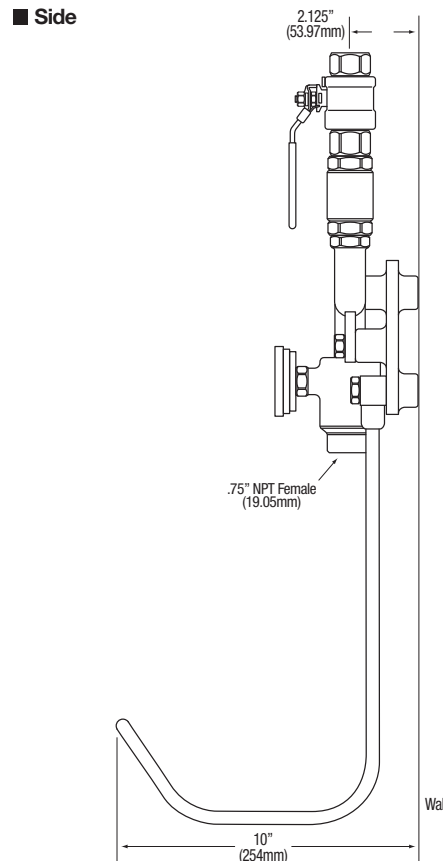
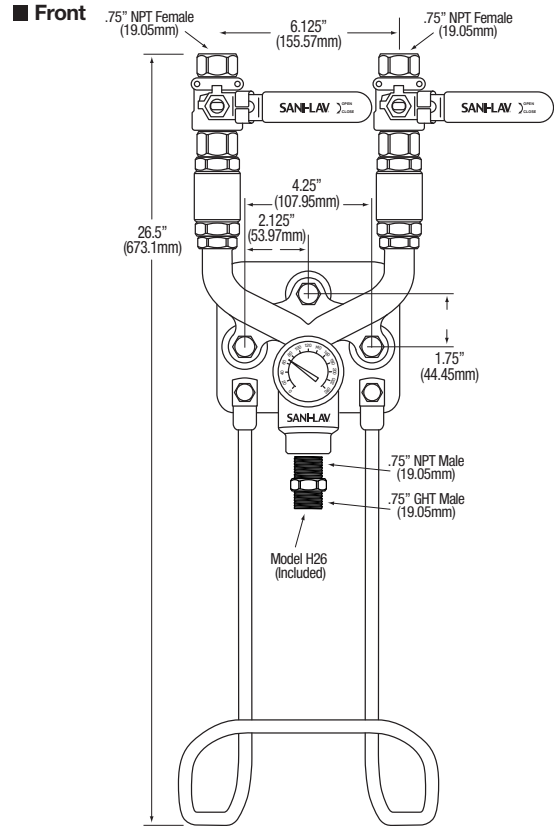
M1 with H25 and N8B
(Nozzle and hose sold separately)



Notice for California Consumers
WARNING: This product can expose you to chemicals including Lead, and Phthalates (DEHP) which are known to the State of California to cause cancer and birth defects or other reproductive harm. For more information go to www.P65Warnings.ca.gov.

Quick Specs

Max Temperature	200°F/93°C
Max Pressure	300 psi
Inlet	3/4" Female NPT
Connection	FNPT x MGHT
Body Material	Stainless Steel
Hose Outlet Connection	3/4" Male GHT or 3/4" Male NPT
Temperature Gauge	Yes
Hose Rack Material	Stainless Steel
Inlet Valve Type	Ball Valves
Flow Rate	Adjustable
Dimensions	L 10" x W 10" x H 26.5"
Note	Not Suitable for Steam Service



Notice for California Consumers
WARNING: This product can expose you to chemicals including Lead, and Phthalates (DEHP) which are known to the State of California to cause cancer and birth defects or other reproductive harm. For more information go to www.P65Warnings.ca.gov.