

# SANI-LAV<sup>®</sup> COLUMBIA PRODUCTS

## Operating Manual for Faucets Models 2005 and 2005-0.5



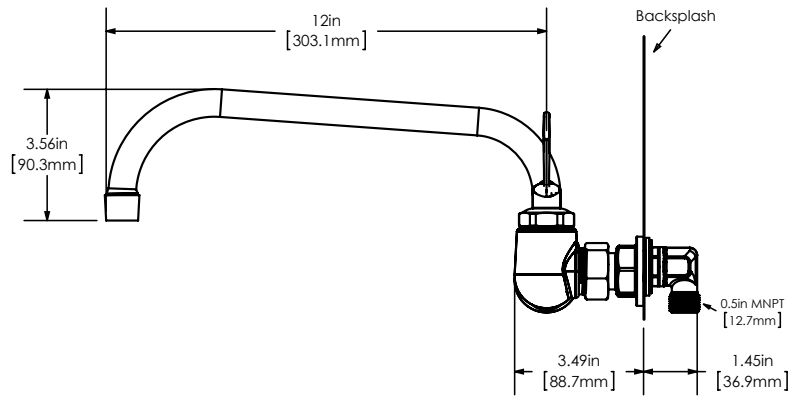
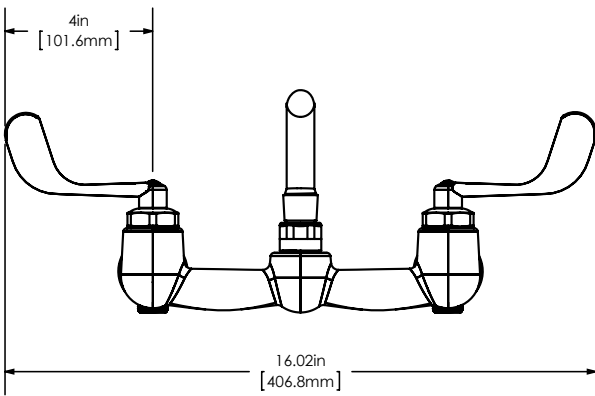
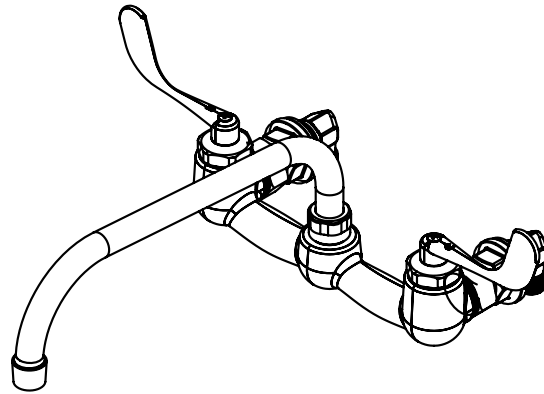
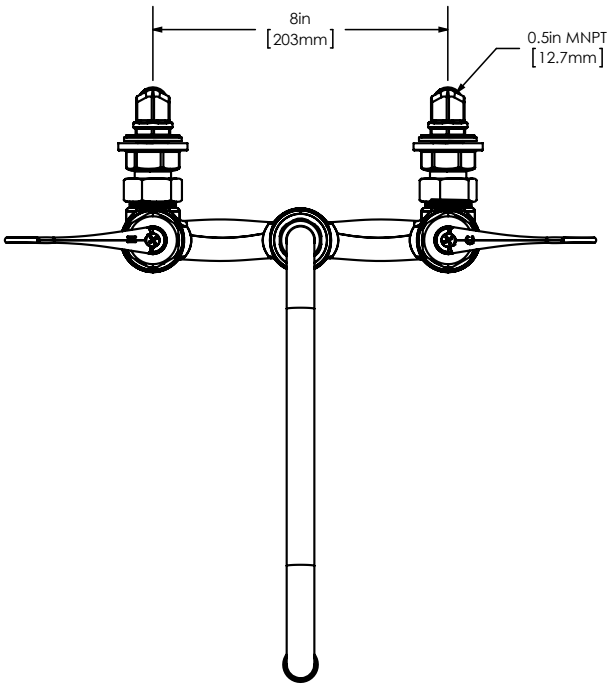
Model 2005  
Low-flow Model 2005-0.5



### Product Compliance

Certified to NSF/ANSI 61, Section 9 by CSA, ASME A112.18.1/CSA B125.1  
Standard flow rate: 2 GPM, low-flow model: 0.5 GPM





Go to [columbiasinks.com](http://columbiasinks.com) for more information on replacement parts and installation videos.

**Notice for California Consumers**

**WARNING:** This product can expose you to chemicals including Chromium (hexavalent compounds), Lead, and Phthalates (DEHP) which are known to the State of California to cause cancer and birth defects or other reproductive harm. For more information go to [www.P65Warnings.ca.gov](http://www.P65Warnings.ca.gov).

**NOTE:** Lead content originates from Brass components in valves and faucets and is certified under NSF/ANSI 372 as containing less than 0.25% lead in wetted surfaces.

**Replacement Parts**

Part No.	Description	Quantity	Universal Part
1 2001-1	Swivel Spout Standard 2.0 GPM Flow Rate	1	Yes
2 2001-1-0.5	Swivel Spout Standard 0.5 GPM Flow Rate	1	Yes
3 1002	Aerator 55/64 - 27 Thread Size Standard 2.0 GPM Flow Rate	1	Yes
4 1003	Aerator 55/64 - 27 Thread Size Low-flow 0.5 GPM Flow Rate	1	Yes
5 2004-5	10-24 Oval Countersunk Screw x .5"	2	Yes
6 2011-2	Handle 4" inch - Hot	1	No
7 2011-1	Handle 4" inch - Cold	1	No
8 2004-4A	Bonnet Nut - Hot	1	No
9 2004-3A	Bonnet Nut - Cold	1	No
10 1062-HL	Faucet Valve Repair Kit Hot Side Valve Assembly	1	No
11 1062-CL	Faucet Valve Repair Kit Cold Side Valve Assembly	1	No
12 2004-2	Female Wall Flange Assembly	2	Yes
13 2004-1	Faucet Body Assembly	1	Yes
14 1009	Faucet Mounting Kit Brass Elbow, Nipple, Nut and Washer	1	Yes

