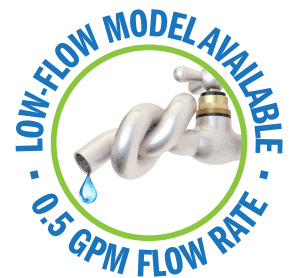


SANI-LAV[®] COLUMBIA PRODUCTS

Operating Manual for Hands-Free Wall Mount Stainless Steel Sink

AC Models 705A and 705A.5

Battery Models 705B and 705B.5



Columbia does not recommend use with harsh chemicals.

Product Compliance

NSF/ANSI 2 Food Equipment, NSF/ANSI 372 Lead-Free Compliant, ASME A112.18.1



AC OR BATTERY POWERED

Parts List

- (1) Wall mount sink
- (1) AC or Battery powered sensor faucet assembly
- (1) Wall-mounting bracket
- (2) Support brackets
- (4) Support bracket mounting bolts and washers
- (1) Mixing check valve
- (1) Strainer assembly with basket

Tools Required

- Tape measure
- Adjustable wrench
- Drill motor and drill bits
- Pipe wrench
- Level
- Safety glasses
- Screw drivers: phillips and standard
- Pencil
- Socket wrench

Installation Instructions

Step 1

1. Establish sink location on the wall.
2. Determine desired height for the top of the backsplash from finished floor and draw a level line which will be the top edge of the wall mounting bracket.
3. Hold the wall mounting bracket against the wall and mark the wall where the holes are. Drill holes and secure bracket to the wall as shown in illustration A. Screws are not provided.

Step 2

1. Install strainer assembly.
2. Install faucets to the sink following the instructions provided with sensor unit.
3. Attach supply tube with elbow to back of faucet.
4. Install mixing check valve and compression fitting to control box of each sensor faucet.

Step 3

1. Position the sink onto wall bracket.
2. Loosely attach support brackets under sink and push against wall then mark holes for drilling as shown in illustration B.
3. Remove support brackets from sink and drill holes for mounting fasteners (not provided).
4. Re-mount support brackets to sink and fasten to wall.

Step 4

1. Connect waste line to strainer assembly (s).
2. Mount sensor control box at desired location on wall.
3. Connect power line from sensor to control box.
4. Attach supply tube from faucet to control box.
5. Connect hot and cold water from the source to mixing check valve (s).
6. Remove aerator from the spout assemblies and flush water system. (see step 7 sensor installation instructions)
7. Check connections for leaks.
8. Replace aerator onto the spout (s).
9. We recommend sealing top of backsplash to wall as shown in illustration C.

Go to columbiasinks.com for more information on replacement parts and installation videos.

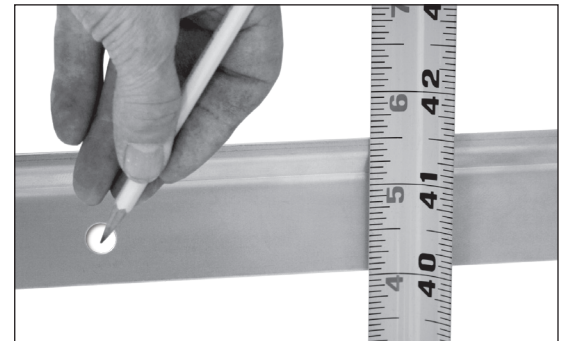


Illustration A



Illustration B



Illustration C

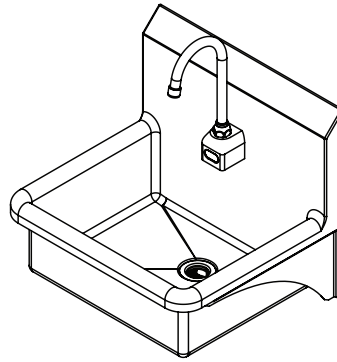
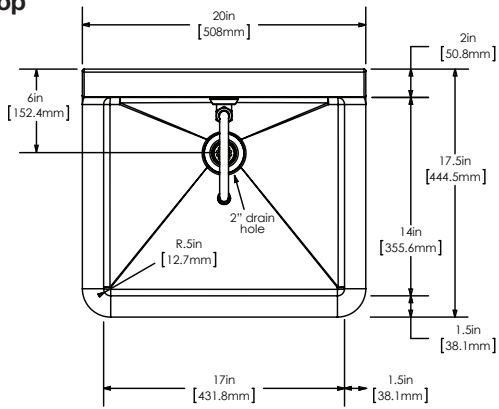
Notice for California Consumers

WARNING: This product can expose you to chemicals including Chromium (hexavalent compounds), Lead, and Phthalates (DEHP) which are known to the State of California to cause cancer and birth defects or other reproductive harm. For more information go to www.P65Warnings.ca.gov.

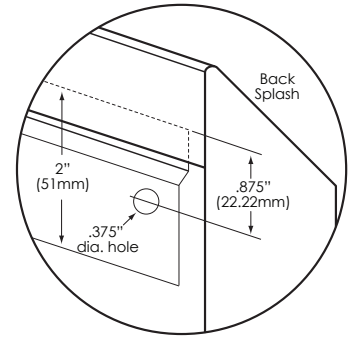
NOTE: Lead content originates from Brass components in valves and faucets and is certified under NSF/ANSI 372 as containing less than 0.25% lead in wetted surfaces.

COLUMBIA PRODUCTS
800.626.2117 • columbiasinks.com • info@columbiasinks.com

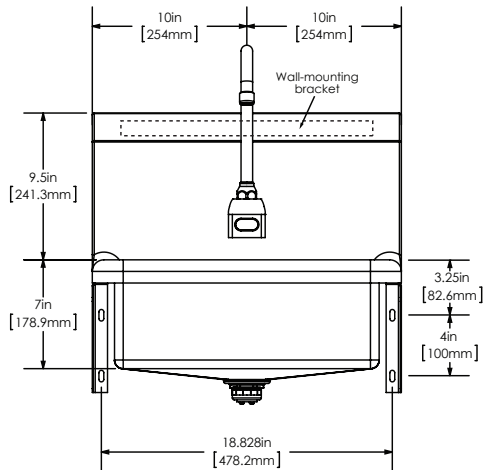
■ Top



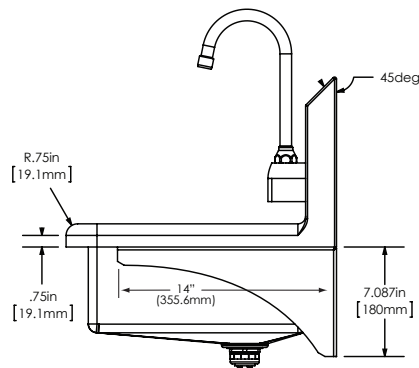
■ Wall Mounting Detail



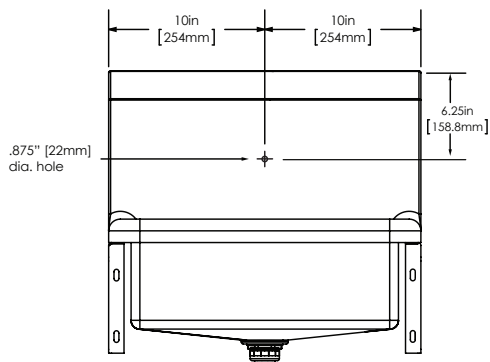
■ Front



■ Side



■ Hole Configuration



Care and Maintenance

Regular cleaning will preserve the appearance and integrity of the surface. Stainless steel can easily be cleaned and kept stain-free using various methods.

Recommendations

- Clean with an abrasive cleaner like, Bon-Ami or Zud weekly or bi-weekly. Always scrub in the direction of the grain or polish lines. Another option is to use Baking soda. Make sure to rinse well and dry. Illustration A
- Most soaps and detergents contain chlorides, we recommend rinsing the stainless-steel sink with hot water after use, to prevent corrosion. Illustration B
- Regularly dry your sink to prevent water and surface rust marks. Illustration C
- Do not leave salt in the sink or near a saltwater environment.
- Use a quality stainless steel cleaner and follow cleaner instructions. Wipe along the grain (NOT against). Illustration D

Things to Avoid

- Avoid harsh abrasive cleaners and corrosive chemicals.
- Avoid abrasive scouring pads, carbon steel brushes and steel wool for cleaning as iron particles left behind can lead to rust.
- Avoid the use of oily rags or greasy cloths when wiping the surface. To avoid water spots, wipe dry after use.

Additional Tips

- Regularly drying your sink works wonders to prevent water and surface rust marks.
- Wear rubber gloves when working with cleaners to protect your hands.
- Never mix cleaners. Some products react to create dangerous gases.
- There are thousands of blended or compound cleaners on the market. Users are advised to contact suppliers of solvents for information on their applications on stainless steel.
- DO NOT USE SOLVENTS in closed spaces or while smoking.
- Note: Columbia does not recommend use with harsh chemicals.



Illustration A



Illustration B



Illustration C

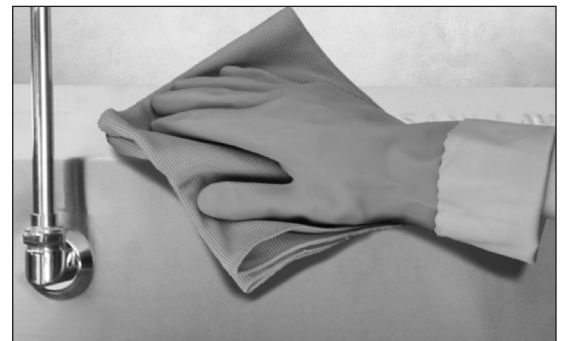


Illustration D

SANI-LAV Sensor Faucets

Wall Mounted AC and Battery Powered
Meets ANSI/ASME A112.18.1 M-1989



Operation

1. A continuous, invisible beam is emitted from the sensor.
2. The faucet is activated by placing hands under the spout within the effective range of the beam. Water starts to flow immediately for as long as the user's hands remain in the sensor range.
3. When hands are removed, the water flow stops. The sensor will automatically reset and be ready for the next user.
4. In the battery powered version, a flashing red light will indicate a low battery condition.

Specifications

Faucet Construction	Solid brass, chrome plated
Control Circuit	Solid state, AC or battery, switchable
– Auto. Time-out	Preset at 20 seconds and adjustable to 10, 30, or 60 seconds
– Line Purge (request only)	2 minute run every 12 hours or 24 hours
– Scrub Mode Delay (request only)	60, 120, 180 seconds
– Sensor Range	Preset and adjustable
– Shut-off Delay	Presets and adjustable from 1-8 seconds
Control Cable	Armored, vandal resistant
Solenoid Valve	6V DC, normally closed
– Wattage: 0.4W (idle), 5W (in use)	
– Operating Pressure: 5 psi to 125 psi	
Flow Control	2.0 or 0.5 GPM, Laminar Flow Control

AC Mode

Power Adapter	Input AC 120V 60 Hz or 220V
– Standard Plug-in	Output DC 12V, 0.8A/Class 2
– (UL/CSA)	Armored, vandal resistant
– Power Cable	Serves up to 8 faucets
– Optional Multi-Unit Adapter	Input AC 120V, Output DC 12V, 3A
– (UL/CSA)	

Battery Mode

Battery Powered Models	(4) AA Alkaline Batteries
Battery Service Life	400,000 on/off cycles, up to 4 years

Package Includes

- (1) Faucet with electronic sensor
- (1) Control box w/6V DC solenoid
- (1) 12V DC plug-in power adaptor (H-6700C, -DC, -LR and -LRDC only)
- (1) In-line filter with clean-out trap
- (1) 1/8" Flex, S.S. supply tube, 3/8"(1) 6" Gooseneck Spout
- (1) Mounting hardware
- (1) 2.0 GPM Flow Control(4) AA Alkaline batteries (HB-6700C, -DC, -LR, -LRDC only)
- (1) Battery holder (HB-6700C, -DC, -LR, -LRDC only)

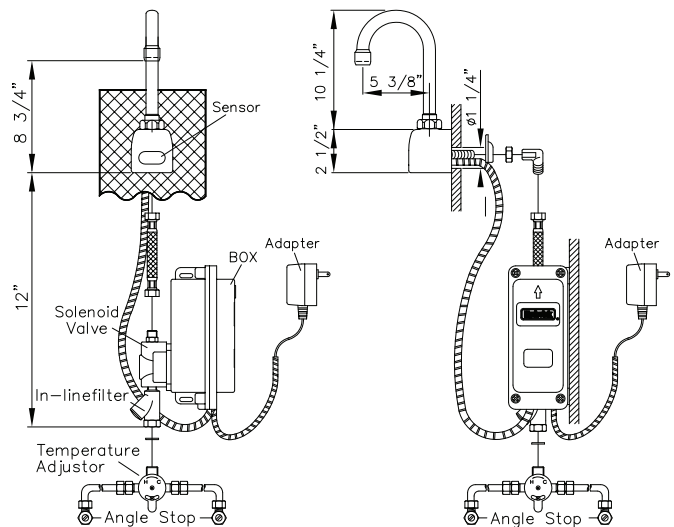
Dimensions

– Base Width (Outside Measurement)	2-1/4"
– Base Depth	2-1/2"
– Faucet Height (Aerator to Base)	8-3/4"
– Faucet Height Overall	12-3/4"
– Depth (Center of Aerator to Center of Faucet Base)	5-3/8"
– Mounting Bolt Length	1-7/16"
– Mounting Bolt Pattern	Single-hole mount

Optional Variations and Accessories

- 0.35, 0.5, 1.5, 2.2 GPM Laminar Flow
- HC-010 Multi-Unit Voltage Adapter (AC Powered Only) - 8 units
- HC-0104 Multi-Unit Voltage Adapter (AC Powered Only) - 4 units
- HC-001 Mixing/Check Valve (Mechanical)
- HBL-04-LR Thermostatic Mixing Valve with Checks (Low Lead)
- 8" deep Gooseneck and 6" or 8" Swing Swing Spout Model

Model	Sensor Type	Flow-Rate
ES2RL	AC Powered	Standard 2.0 GPM
ES2RL-0.5	AC Powered	Low-Flow 0.5 GPM



Model	Sensor Type	Flow-Rate
ESB2RL	Battery Powered	Standard 2.0 GPM
ESB2RL-0.5	Battery Powered	Low-Flow 0.5 GPM

