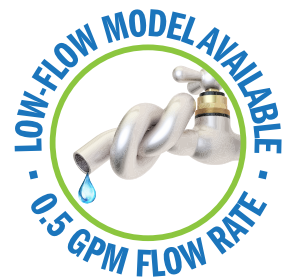


COLUMBIA PRODUCTS

SANI-LAV[®]

Operating Manual for Hands-Free Floor Mounted Sinks Models 521L and 521L-0.5



Columbia does not recommend use with harsh chemicals.
NSF/ANSI Standard 2 - Food Equipment and NSF/ANSI 372 low-lead.

Parts List

- (1) Sink bowl
- (1) Pedestal base
- (1) Set of 6 mounting nuts to attach bowl to pedestal base
- (1) Double foot pedal valve (bottom mount) with 2 nuts
- (1) Swivel gooseneck spout with aerator
- (1) Connecting tubes for valve to spout connection
- (2) Fittings, brass, 0.375" male compression and 0.375" male NPT
- (1) Strainer assembly with basket

Tools Required

- Tape Measure
- Adjustable Wrench
- Drill Motor and Drill Bits
- Pipe Wrench
- Level
- Safety Glasses
- Screw Drivers: 1 Phillips & 1 Standard
- Pencil
- Socket Wrench

Installation Instructions

Step 1

1. Set the pedestal base upside down and remove bolts from under pedestal base bridge keeping the black shimmy in place.
2. Attach double foot pedal valve as shown in illustration A using the provided nuts keeping the black shimmy in place.
3. Do not over tighten nuts.
4. Install elbow fitting onto the double pedal valve.

Step 2

1. Install strainer assembly.
2. Attach bowl to pedestal base by slipping bolts on bowl through openings on pedestal base as shown in illustration B.
3. Tighten the 6 nuts to the threaded bolts under bowl. Do not over-tighten. There are 6 bolts that will securely hold the bowl in place.

Step 3

1. Place sink at the desired location.
2. Mark the floor where the four holes are at the pedestal base as shown in illustration C.
3. Drill holes as required for mounting hardware (Hardware not included).

Step 4

1. Install spout assembly to the sink.
2. Install elbow fitting (provided) to the spout assembly.
3. Connect one side of the supply line (provided) to the spout assembly.
4. Attach connecting tube from the spout to valve.

Step 5

1. Mount pedestal sink to the floor.
2. Connect waste line to strainer assembly.
3. Connect water supplies (hot and cold) onto the double foot pedal valve.

Step 6

1. Remove aerator from the spout assembly and flush water line by pressing each pedal for 30 seconds.
2. Check connections for leaks. Replace aerator onto the spout assembly.

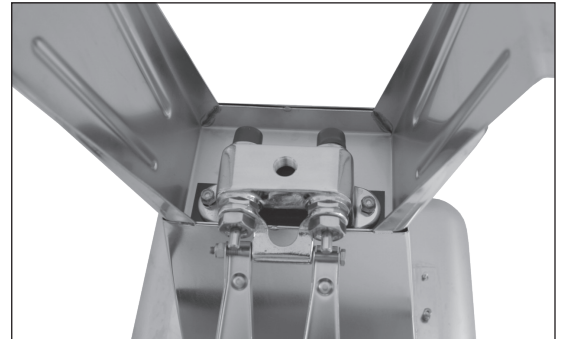


Illustration A



Illustration B

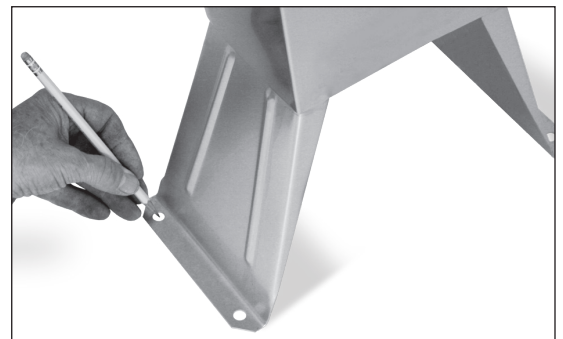


Illustration C

Trouble Shooting Guide

Problem	Possible Cause	To Diagnose	Remedy
Water drips from spout or valve stem assembly.	Flat washer on the stem/plunger is worn.	To determine if the leak source is from the hot or cold side shut cold water source off. See if water still leaks from the spout. If leak continues then repair hot side if not repair cold side.	We recommend installing valve repair kit.
Water leaks from the front of the valve.	O-Rings on the plunger are worn out.	Visually determine whether the cold or hot side is leaking.	We recommend replacing threaded insert, plunger assembly & spring. See illustrations below.

Valve Repair Instructions

Note: Valves are designed to be repaired without having to be disconnected from mount or plumbing.

1. Turn off water source. Do not remove valve from sink.
2. Remove pedal assembly using a 15/16" open end wrench or socket wrench. As shown in illustration A.
3. Using a 1" deep socket wrench remove insert assembly parts as show in illustration B.
4. Replace with new repair kit as shown on illustration C.
5. Reinstall pedal assembly and turn water source on.



Illustration A



Illustration B

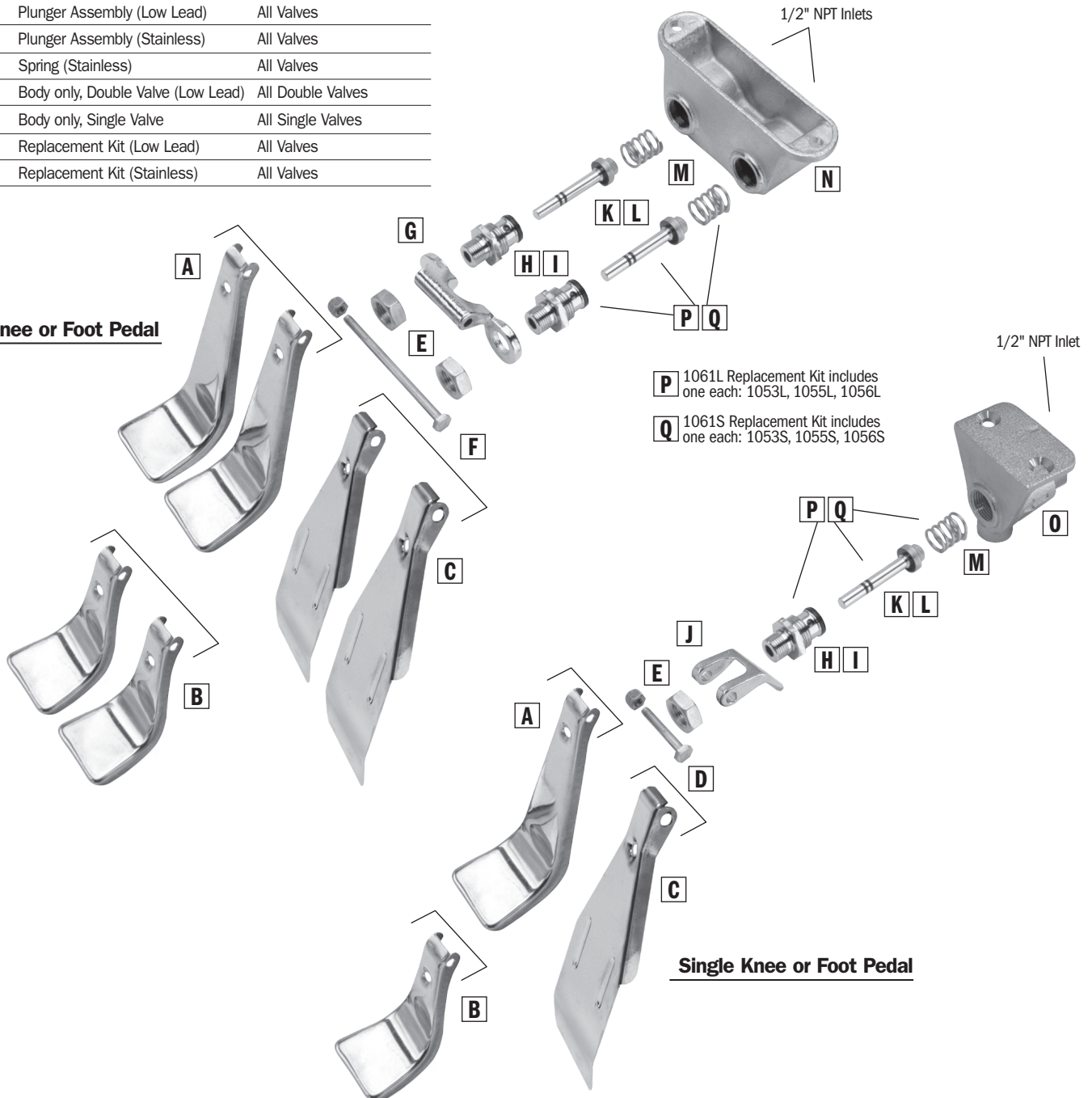


Illustration C

Replacement Parts

Part No.	Description	Application
A 1041	Operated, Long Foot	103/104/105/106 (S) (L)
B 1042	Operated, Short Foot	101/102 (S) (L)
C 1043	Operated, Knee	109/110/111/112 (S) (L)
D 1049	Bolt & Nut Set (Stainless)	All Single Valves
E 1050	Jam Nut (Stainless)	All Valves
F 1051	Bolt & Nut Set (Stainless)	All Double Valves
G 1052	Bracket	All Double Valves
H 1053	Threaded Insert (Low Lead)	All Valves
I 1053S	Threaded Insert (Stainless)	All Valves
J 1054	Bracket	All Single Valves
K 1055	Plunger Assembly (Low Lead)	All Valves
L 1055S	Plunger Assembly (Stainless)	All Valves
M 1056	Spring (Stainless)	All Valves
N 1057	Body only, Double Valve (Low Lead)	All Double Valves
O 1058	Body only, Single Valve	All Single Valves
P 1061L	Replacement Kit (Low Lead)	All Valves
Q 1061S	Replacement Kit (Stainless)	All Valves

Double Knee or Foot Pedal

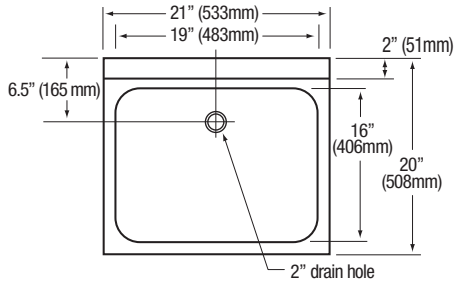


P 1061L Replacement Kit includes one each: 1053L, 1055L, 1056L

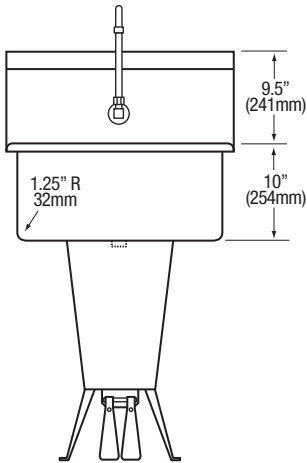
Q 1061S Replacement Kit includes one each: 1053S, 1055S, 1056S

Single Knee or Foot Pedal

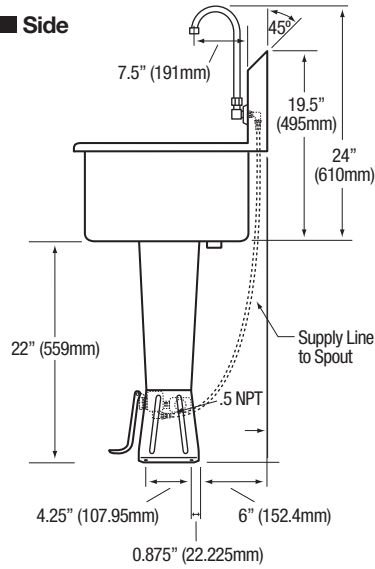
■ Top



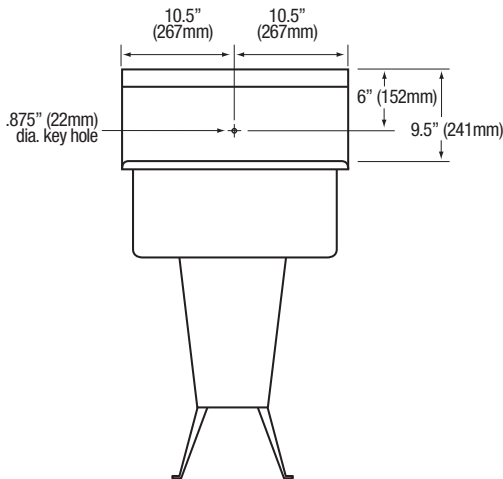
■ Front



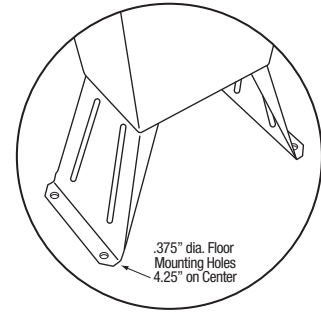
■ Side



■ Hole Configuration



■ Floor Mounting Detail



■ Supply Line Detail

